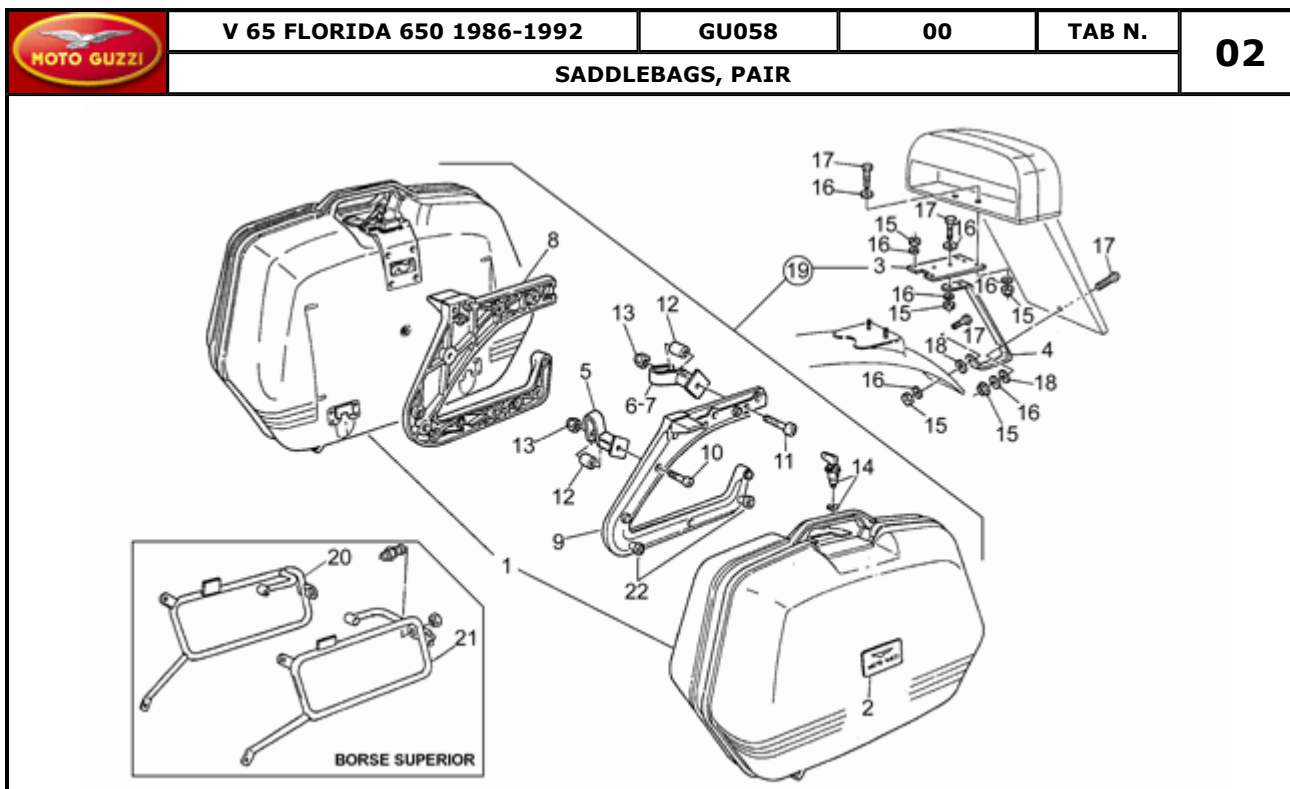
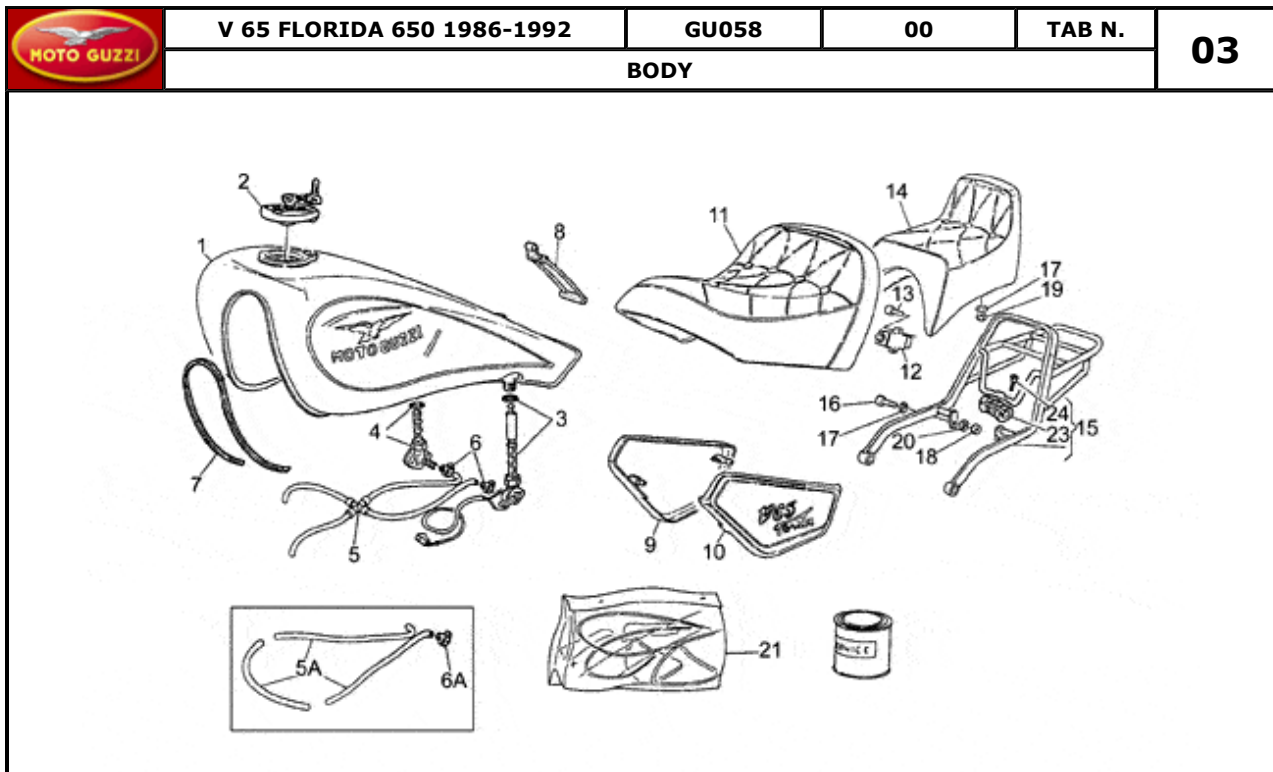


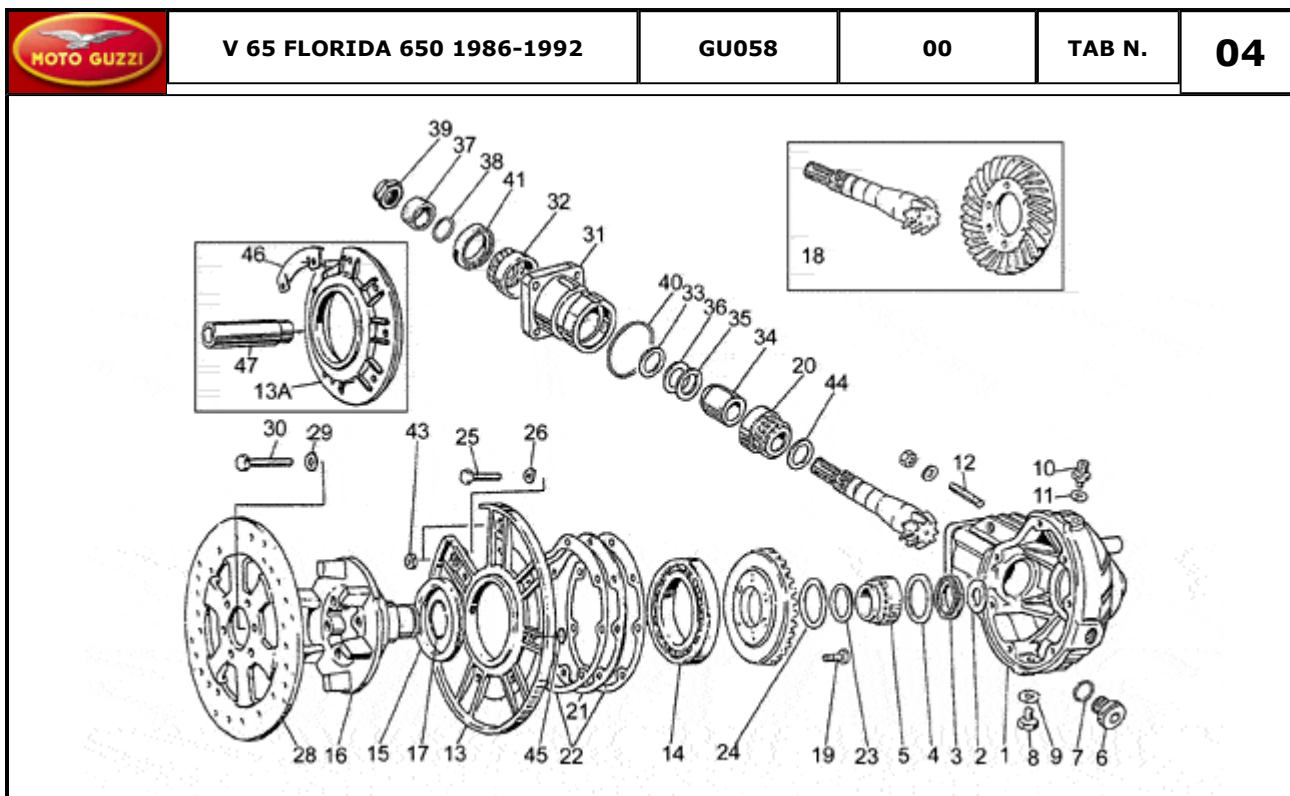
Pos.	Description	Year	I_M	Country	Version	Code	Q.ty	P.Cod.
1	Battery VARTA 530.30 12V-30A	-	-	-	V	GU28704545	1	
2	Float chamber	-	-	-	-	GU14707000	1	
3	Clamp	-	-	-	-	GU19704800	1	
4	Cap	-	-	-	-	GU14717600	2	
5	HT coil	-	-	-	N	GU31716560	2	
6	Screw	-	-	-	-	GU98620240	4	
7	Spacer	-	-	-	-	GU91180721	4	
8	Sparkplug cap NGK	-	-	-	-	GU30717410	2	
	Sparkplug cap	-	-	-	-	GU14717400	2	
9	Spark plug NGK B8ES	-	-	-	-	GU31717060	2	
10	Generator SAPRISA	-	-	-	-	GU28712400	1	
11	Connector SAPRISA	-	-	-	-	GU28712500	1	
12	Cap	-	-	-	-	GU19707100	1	
13	Ground-battery lead	-	-	-	-	GU19748400	1	
14	Screw	-	-	-	-	GU28712459	1	
15	Nut M8X1,25	-	-	-	-	GU92602208	1	
16	Captive nut	-	-	-	-	GU92660501	4	
17	Hose clamp 3,6x20,6	-	-	-	-	GU14609650	20	
18	Voltage regulator SAPRISA	-	-	-	S	GU28703800	1	
19	Washer 5,25x14x1,5	-	-	-	-	GU95100059	2	
20	Washer	-	-	-	-	GU95004208	2	
21	Screw	-	-	-	-	GU98622216	2	
22	Lock hardware kit	-	-	-	-	GU23736812	1	
24	Screw	-	-	-	-	GU98290512	2	
25	Washer	-	-	-	-	GU95000205	2	
26	Phase/revolution sensor	-	-	-	-	GU29722270	1	
27	Hex socket screw M6X18	-	-	-	-	GU98622318	1	
29	Rotor	-	-	-	M1	GU27721037	1	
	Rotor	-	-	-	M2	GU27721063	1	
30	Notched washer	-	-	-	-	GU95021105	3	
31	Screw	-	-	-	-	GU98620250	3	
32	Wire	-	-	-	-	GU19748000	1	
33	Cap	-	-	-	-	GU19707100	2	
34	Hex screw M8X35	-	-	-	-	GU98052435	2	
35	Protection	-	-	-	MB	GU19733350	1	
36	Starter motor Bosch	-	-	-	E1	0000000	1	
37	Starter motor revision kit	-	-	-	MB	GU14730570	1	
38	Accumulator fixing wedge	-	-	-	-	GU14705350	1	



Pos.	Description	Year	I_M	Country	Version	Code	Q.ty	P.Cod.
1	Hard saddlebag	-	-	-	-	GU23482572	2	
2	Name plate "Moto Guzzi"	-	-	-	-	GU29482060	2	
3	Plate	-	-	-	-	GU23475772	1	
4	U-bolt	-	-	-	-	GU23475572	1	
5	Front bracket	-	-	-	-	GU23481372	2	
6	RH rear bracket	-	-	-	-	GU23481272	1	
7	LH rear bracket	-	-	-	-	GU23481472	1	
8	RH support	-	-	-	-	GU30485010	1	
9	LH support	-	-	-	-	GU30486510	1	
10	Screw	-	-	-	-	GU98610450	2	
11	Screw	-	-	-	-	GU98610470	2	
12	Spacer	-	-	-	-	GU91180917	4	
13	Nut	-	-	-	-	GU92630108	4	
14	Lock	-	-	-	-	GU30489910	2	
15	Nut M6x1	-	-	-	-	GU92630106	7	
16	Washer	-	-	-	-	GU95000206	10	
17	Screw	-	-	-	-	GU98054318	5	
18	Rubber spacer	-	-	-	-	GU93110060	2	
19	Cases kit GIVI	-	-	-	-	GU23999272	1	
20	RH support	-	-	-	-	GU23485072	1	
21	LH support	-	-	-	-	GU23486572	1	
22	T bush	-	-	-	29095C	GU29530580	1	


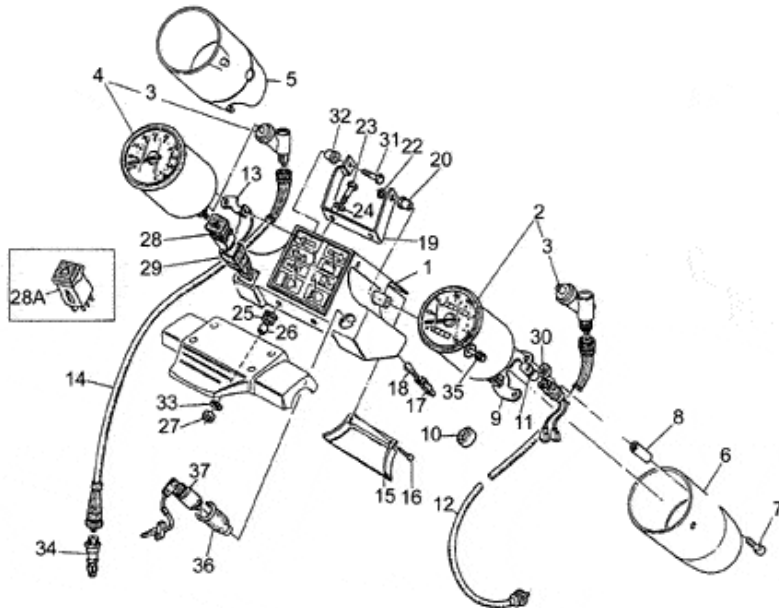


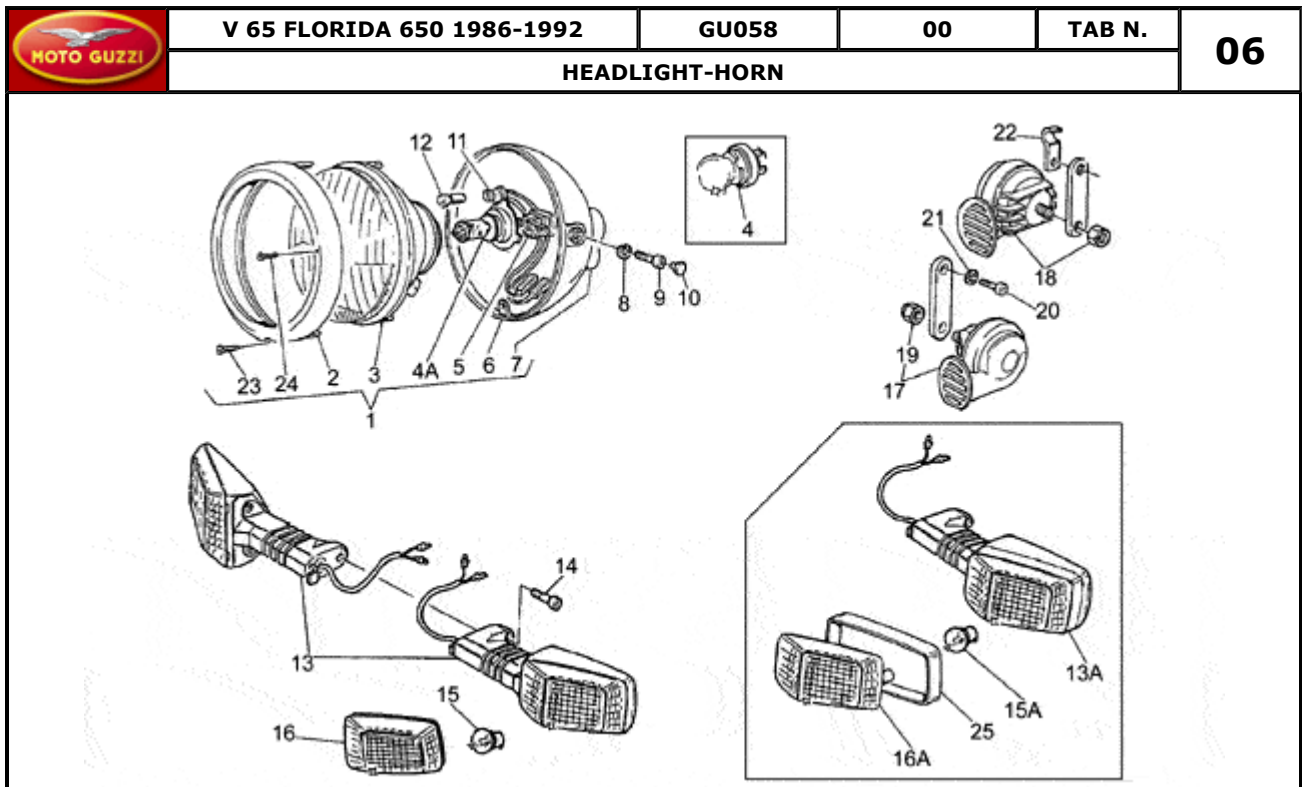
Pos.	Description	Year	I_M_	Country	Version	Code	Q.ty	P.Cod.
1	Fuel tank	-	-	-	b	GU23100212	1	
	Fuel tank	-	-	-	gr	GU311002601	1	
	Fuel tank	-	-	-	n	GU23100211	1	
2	Fuel filler cap	-	-	-	-	GU30103960	1	
3	LH fuel cock	-	-	-	-	GU23105370	1	
4	RH fuel cock	-	-	-	-	GU23105470	1	
5	Rubber pipe 12,5X7,8 5/16"	-	-	-	2A	GU00823956080	1	
	Fuel pipe	-	-	-	1A	GU29106500	1	
6	Hose clamp	-	-	-	1A	GU28108410	4	
	Hose clamp	-	-	-	2A	GU28157950	4	
7	Gasket	-	-	-	-	GU00823932085	1	
8	Tie rod	-	-	-	-	GU19102750	1	
9	RH side panel	-	-	-	b	GU23996772	1	
	RH side cover blank	-	-	-	gr	GU234762101	1	
	RH side panel	-	-	-	n	GU23996771	1	
10	LH side panel	-	-	-	n	GU23996871	1	
	LH side cover blank	-	-	-	gr	GU314763621	1	
	LH side panel	-	-	-	b	GU23996872	1	
11	Driver saddle	-	-	-	-	GU23460510	1	
12	Lock	-	-	-	-	GU27468720	1	
13	Screw	-	-	-	-	GU98622214	2	
14	Rear saddle	-	-	-	-	GU23464010	1	
15	Luggage rack	-	-	-	-	GU23466611	1	
16	Screw	-	-	-	-	GU98822420	2	
17	Spring washer 8x15x0,3	-	-	-	-	GU61270300	4	
18	Nut	-	-	-	-	GU92630508	2	
19	Nut M8X1,25	-	-	-	-	GU92602208	2	
20	Washer	-	-	-	-	GU95000208	2	
21	Decal set	-	-	-	D1	GU23923310	1	
23	Drift	-	-	-	-	GU23464811	1	
24	Self-tap screw	-	-	-	-	GU99220316	2	




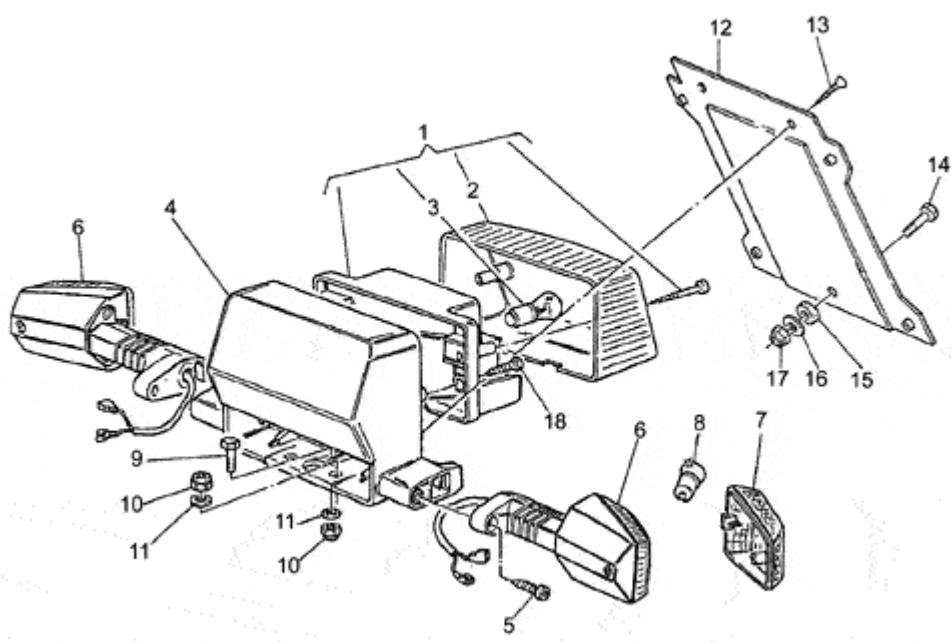
Pos.	Description	Year	I_M	Country	Version	Code	Q.ty	P.Cod.
1	Transmission cover	-	-	-	-	GU31350331	1	
2	Clearance washer	-	-	-	-	GU19351900	1	
3	Gasket ring 35x47x7	-	-	-	-	GU90403547	1	
4	Clearance washer	-	-	-	-	GU19351100	1	
5	Roller bearing 35x50x17	-	-	-	-	GU92252235	1	
6	Oil filler plug	-	-	-	-	GU31351200	1	
7	O-ring 20,24X2,62	-	-	-	-	GU90706203	1	
8	Oil plug	-	-	-	-	GU95980213	1	
	Oil unload plug M10X1	-	-	-	-	GU31003766	1	
9	Gasket	-	-	-	-	GU10528900	1	
10	Breather plug	-	-	-	-	GU31206500	1	
11	Gasket	-	-	-	-	GU10528900	1	
12	Stud bolt	-	-	-	-	GU96508055	4	
13	Cover	-	-	-	-	GU19350421	1	
	Cover	-	-	-	RR	GU27350410	1	
14	Ball bearing 70x110x13	-	-	-	-	GU92201070	1	
15	Gasket ring 75x90x8	-	-	-	-	GU90407590	1	
16	Pin	-	-	-	-	GU19351401	1	
17	Stop ring	-	-	-	-	GU90353030	1	
18	Bevel gear Z=8/31	-	-	-	-	GU19354621	1	
19	Screw	-	-	-	-	GU19356320	6	
20	Tap.roller bearing	-	-	-	-	GU92249223	1	
21	Spacer 1,2 mm	-	-	-	-	GU19355408	1	
	Spacer 1,6 mm	-	-	-	-	GU19355413	1	
	Spacer 1,5 mm	-	-	-	-	GU19355412	1	
	Spacer 1,3 mm	-	-	-	-	GU19355410	1	
	Spacer 1,1 mm	-	-	-	-	GU19355406	1	
	Spacer 1 mm	-	-	-	-	GU19355404	1	
	Spacer 0,9 mm	-	-	-	-	GU19355402	1	
	Spacer 0,8 mm	-	-	-	-	GU19355400	1	
	Spacer 1,4 mm	-	-	-	-	GU19355411	1	
22	Gasket	-	-	-	-	GU19350700	2	
23	Thrust washer	-	-	-	-	GU19352300	1	

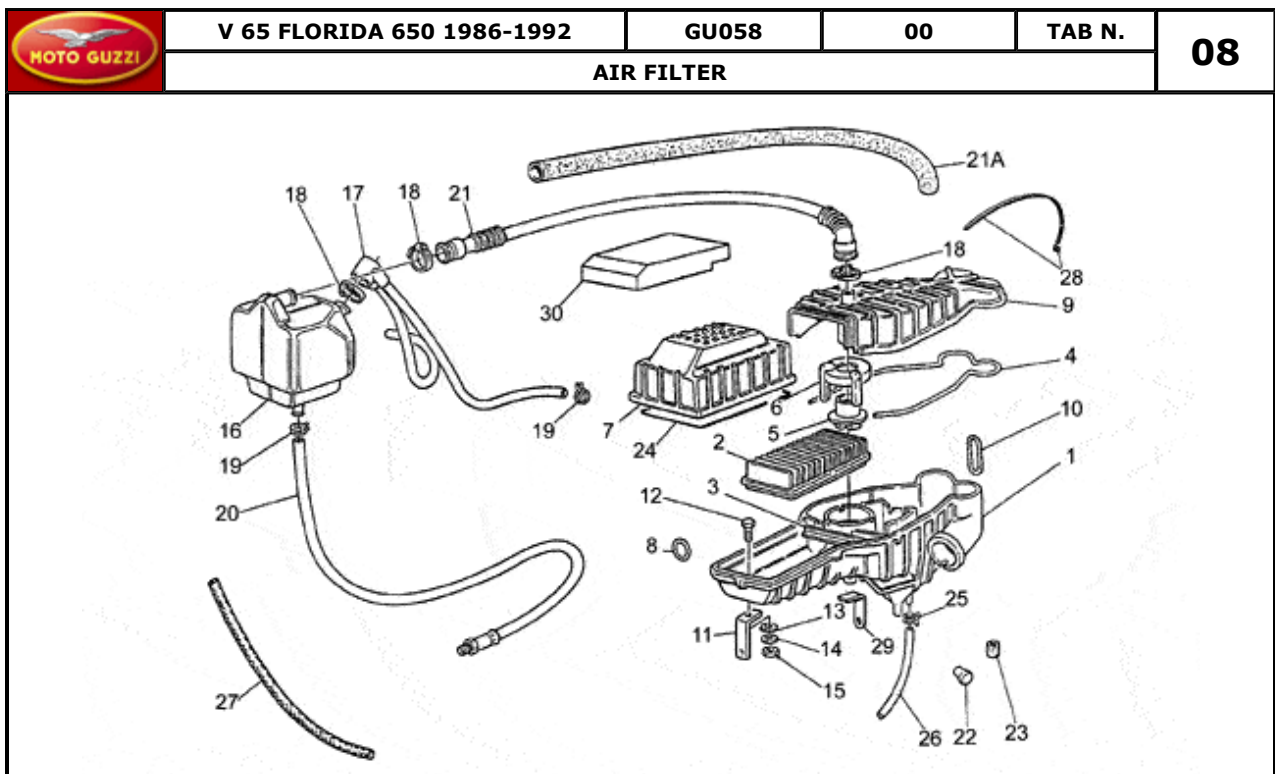
24	Thrust washer	-	-	-	-	-	GU19353500	1
25	Screw M8X25	-	-	-	-	-	GU19357660	7
26	Spring washer 8x15x0,3	-	-	-	-	-	GU61270300	7
28	Rear brake disc	-	-	-	-	-	GU19635736	1
29	Washer 8,4X13X0,8	-	-	-	-	-	GU14615901	6
30	Screw	-	-	-	-	-	GU98054418	6
31	Bearing casing	-	-	-	-	-	GU19352401	1
32	Roller bearing 20x47x14	-	-	-	-	-	GU92249220	1
33	Spacer 1,3 mm	-	-	-	-	-	GU19355303	2
	Spacer 1,9 mm	-	-	-	-	-	GU19355309	2
	Spacer 1,8 mm	-	-	-	-	-	GU19355308	2
	Spacer 1,7 mm	-	-	-	-	-	GU19355307	2
	Spacer 1,6 mm	-	-	-	-	-	GU19355306	2
	Spacer 1,4 mm	-	-	-	-	-	GU19355304	2
	Spacer 1,2 mm	-	-	-	-	-	GU19355302	2
	Spacer 1,1 mm	-	-	-	-	-	GU19355301	2
	Spacer 1 mm	-	-	-	-	-	GU19355300	2
	Spacer 1,5 mm	-	-	-	-	-	GU19355305	2
34	Spacer	-	-	-	-	-	GU19355121	1
35	Shim 0,1 mm	-	-	-	-	-	GU19355200	1
36	Shim 0,15 mm	-	-	-	-	-	GU19355202	1
37	Spacer	-	-	-	-	-	GU19356801	1
38	Gasket ring 18,77X1,78	-	-	-	-	-	GU90706188	1
39	Nut	-	-	-	-	-	GU19356700	1
40	Gasket ring	-	-	-	-	-	GU90706552	1
41	Gasket ring	-	-	-	-	-	GU90403247	1
43	Nut M8X1,25	-	-	-	-	-	GU92602208	2
44	Spacer 1,2 mm	-	-	-	-	-	GU19355322	1
	Spacer 1,9 mm	-	-	-	-	-	GU19355329	1
	Spacer 1,8 mm	-	-	-	-	-	GU19355328	1
	Spacer 1,7 mm	-	-	-	-	-	GU19355327	1
	Spacer 1,6 mm	-	-	-	-	-	GU19355326	1
	Spacer 1,5 mm	-	-	-	-	-	GU19355325	1
	Spacer 1,3 mm	-	-	-	-	-	GU19355323	1
	Spacer 1,1 mm	-	-	-	-	-	GU19355321	1
	Spacer 1 mm	-	-	-	-	-	GU19355320	1
	Spacer 1,4 mm	-	-	-	-	-	GU19355324	1
45	O-ring	-	-	-	-	-	GU90706076	2
46	Plate	-	-	-	-	-	GU27357411	1
47	Spacer	-	-	-	-	-	GU27634110	2

		V 65 FLORIDA 650 1986-1992		GU058	00	TAB N.	05	
		DASHBOARD						
								
Pos.	Description	Year	I_M	Country	Version	Code	Q.ty	P.Cod.
1	Dashboard box assy.	-	-	-	-	GU23760010	1	
2	Speedometer	-	-	-	-	GU23761570	1	
	Speedometer	-	-	UK	-	GU23762470	1	
3	Gear 60°	-	-	-	-	GU23768310	2	
4	Tachometer	-	-	-	-	GU23767270	1	
5	Rev counter container	-	-	-	-	GU23761910	1	
6	Speedometer container	-	-	-	-	GU23762010	1	
7	Screw	-	-	-	-	GU98622214	2	
8	Spacer	-	-	-	-	GU23765110	2	
9	Plate	-	-	-	-	GU23764910	1	
10	Rubber spacer	-	-	-	-	GU17765560	4	
11	Lamp 12v-3w	-	-	-	-	GU93450120	2	
12	Speedometer transmission	-	-	-	-	GU27760410	1	
13	Plate	-	-	-	-	GU23766510	1	
14	Rev counter transmission	-	-	-	-	GU23768110	1	
15	Lower cover	-	-	-	-	GU29765250	1	
16	Self-tap screw	-	-	-	-	GU99210210	2	
17	Lampholder	-	-	-	-	GU19768680	8	
18	Lamp 12V-1,2W	-	-	-	-	GU93450140	8	
19	U-bolt	-	-	-	-	GU23764110	1	
20	Spacer	-	-	-	-	GU23766911	1	
22	Washer	-	-	-	-	GU95004205	2	
23	Hex screw M6X20	-	-	-	-	GU98054320	2	
24	Washer 6,15x11x0,8	-	-	-	-	GU95004206	2	
25	Rubber spacer	-	-	-	-	GU91551085	2	
26	Spacer	-	-	-	-	GU91180607	2	
27	Nut M6x1	-	-	-	-	GU92630106	2	
28	Turn indicator switch	-	-	-	1A	GU28745760	1	
	Turn indicator switch	-	-	-	2A	GU28745761	1	
29	Rubber protection	-	-	-	-	GU35755780	1	
30	Rubber spacer	-	-	-	-	GU93110060	4	
31	Screw	-	-	-	-	GU98054230	2	
32	Spacer	-	-	-	-	GU23766910	1	
33	Special washer	-	-	-	-	GU61013800	2	
34	Gear Z=14	-	-	-	-	GU14769200	1	
35	Reset button	-	-	-	-	GU19762810	1	
36	Ring nut	-	-	-	-	GU19741336	1	
37	Main switch	-	-	-	-	GU31735360	1	



Pos.	Description	Year	I_M	Country	Version	Code	Q.ty	P.Cod.
1	Headlight	-	-	UK	-	GU31740520	1	
	Headlight	-	-	-	-	GU28740533	1	
2	Light frame	-	-	-	-	GU19740454	1	
3	Optical group	-	-	-	2A	GU18740435	1	
	Optical group	-	-	-	1A	GU19740455	1	
	Optical group	-	-	UK	-	GU31740420	1	
4	Lamp 12V-55/60W	-	-	-	-	GU93450232	1	
	Lamp 12V 45/40W	-	-	-	1A	GU93450231	1	
5	Lampholder	-	-	-	-	GU14756255	1	
6	Headlight body	-	-	-	-	GU23740418	1	
7	Rear cap plug	-	-	-	-	GU19740404	1	
8	Washer 10,2x18x2	-	-	-	-	GU95004210	2	
9	Screw	-	-	-	-	GU98622535	2	
10	Plug	-	-	-	-	GU23943510	2	
11	Lampholder	-	-	-	-	GU17740405	1	
12	Lamp 12V-4W	-	-	-	-	GU93450119	1	
13	Turn indicator	-	-	-	-	GU23750670	2	
	Turn indicator	-	-	D	-	GU23750610	2	
14	Screw	-	-	-	-	GU98612320	2	
15	Lamp 12V-10W	-	-	-	-	GU93450127	2	
	Lamp 12V-10W	-	-	D	-	GU93450129	2	
16	Turn indicator lens	-	-	-	-	GU23753710	2	
	Turn indicator lens	-	-	D	-	GU23753770	2	
17	Horn	-	-	-	-	GU29743752	1	
18	Horn	-	-	-	-	GU29743753	1	
19	Nut	-	-	-	-	GU92602206	2	
20	Screw	-	-	-	-	GU98822314	2	
21	Washer	-	-	-	-	GU95000206	2	
22	U-bolt	-	-	-	-	GU93301313	1	
23	Screw	-	-	-	-	GU19740302	1	
24	Adjuster screw	-	-	-	-	GU19740303	1	
25	Spacer	-	-	D	-	GU23530510	2	

		V 65 FLORIDA 650 1986-1992	GU058	00	TAB N.	07		
TAILLIGHT								
								
Pos.	Description	Year	I_M	Country	Version	Code	Q.ty	P.Cod.
1	Taillight	-	-	-	-	GU23740910	1	
2	Taillight lens	-	-	-	-	GU23741710	1	
3	Lamp 12V/5-21W	-	-	-	-	GU93450224	1	
4	Support	-	-	-	-	GU23758510	1	
5	Self-tap screw	-	-	-	-	GU99210520	2	
6	Turn indicator	-	-	D	-	GU23750670	2	
7	Turn indicator lens	-	-	D	-	GU23753710	2	
8	Lamp 12V-10W	-	-	D	-	GU93450127	2	
9	Hex screw M6X16	-	-	-	-	GU98054316	1	
10	Nut M6x1	-	-	-	-	GU92630106	3	
11	Washer	-	-	-	-	GU95000206	3	
12	Plate holder support	-	-	-	-	GU23474610	1	
13	Self-tap screw	-	-	-	-	GU99200413	2	
14	Hex screw M6X16	-	-	-	-	GU98054316	1	
15	Rubber spacer	-	-	-	-	GU93110060	1	
16	Washer 6,2X18X1	-	-	-	-	GU95100118	1	
17	Nut M6x1	-	-	-	-	GU92630106	1	
18	Self-tap screw	-	-	-	-	GU99210322	2	

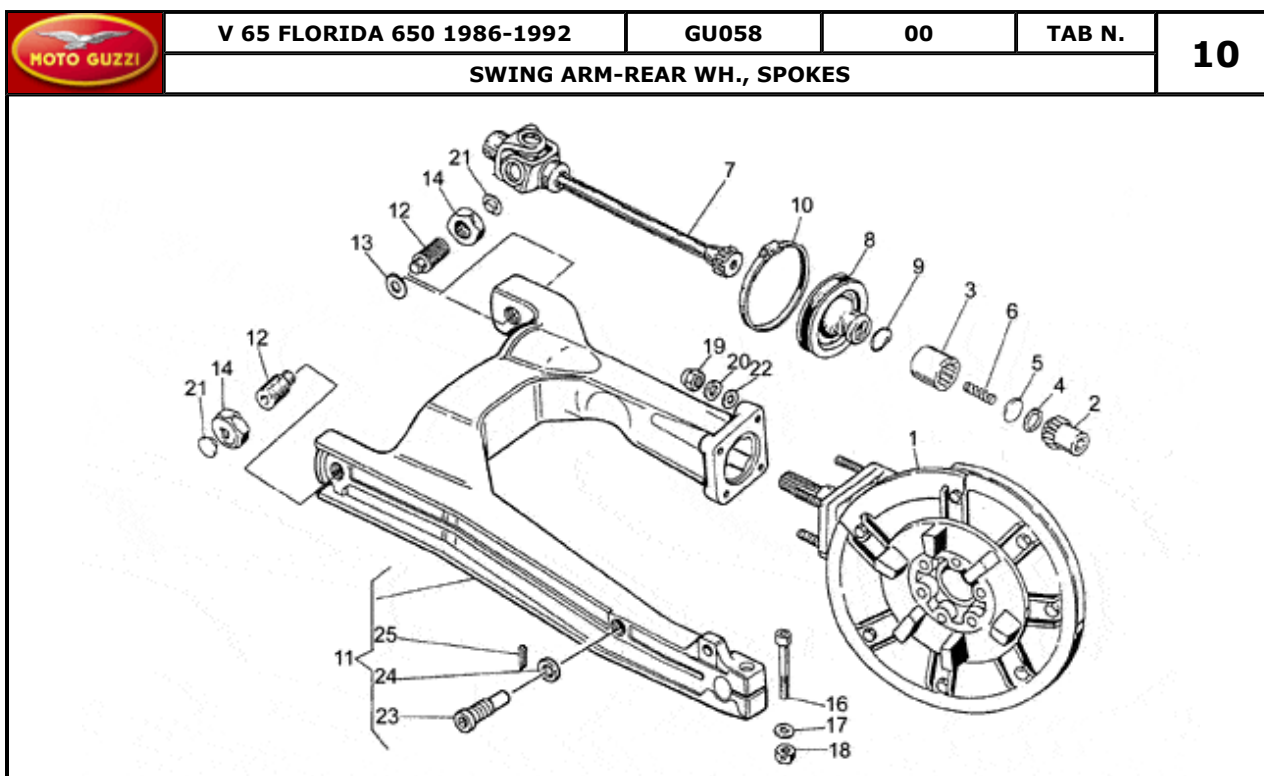


Pos.	Description	Year	I_M_	Country	Version	Code	Q.ty	P.Cod.
1	Lower side filter case	-	-	-	-	GU19114060	1	
2	Air filter	-	-	-	-	GU28113650	1	
3	Bracket	-	-	-	-	GU19112960	1	
4	Gasket	-	-	-	-	GU19113960	1	
5	Protection	-	-	-	-	GU19111060	1	
6	Cover	-	-	-	-	GU19111160	1	
7	Filter cover	-	-	-	-	GU19113760	1	
8	Short spring	-	-	-	-	GU31110715	3	
9	Upper side filter case	-	-	-	-	GU19113460	1	
10	Lenght spring	-	-	-	-	GU31110815	3	
11	Air filter support	-	-	-	-	GU31114165	1	
12	Screw	-	-	-	-	GU98054214	1	
13	Notched washer	-	-	-	-	GU95021105	1	
14	Washer	-	-	-	-	GU95000205	1	
15	Nut	-	-	-	-	GU92630105	1	
16	Housing	-	-	-	-	GU27153460	1	
17	Breather	-	-	-	-	GU23159670	1	
18	Hose clamp	-	-	-	-	GU93305018	3	
19	Hose clamp	-	-	-	-	GU61108400	3	
20	Breather	-	-	-	-	GU27159360	1	
21	Pipe	-	-	-	1A	GU27157420	1	
	Pipe	-	-	-	2A	GU30157430	1	
22	Lockup rubber	-	-	-	-	GU19433000	1	
23	Rubber spacer	-	-	-	-	GU14423800	1	
24	Gasket	-	-	-	-	GU27113985	1	
25	Hose clamp D9	-	-	-	-	GU61108500	1	
26	Breather pipe	-	-	-	-	GU00823942090	1	
27	Thermal sheath	-	-	-	-	GU00823923140	1	
28	Hose clamp	-	-	-	-	GU27609685	1	
29	Square	-	-	-	-	GU31112965	1	
30	Guard	G	-	D	20KW	GU27111272	1	
	Guard	-	-	-	-	GU27111271	1	

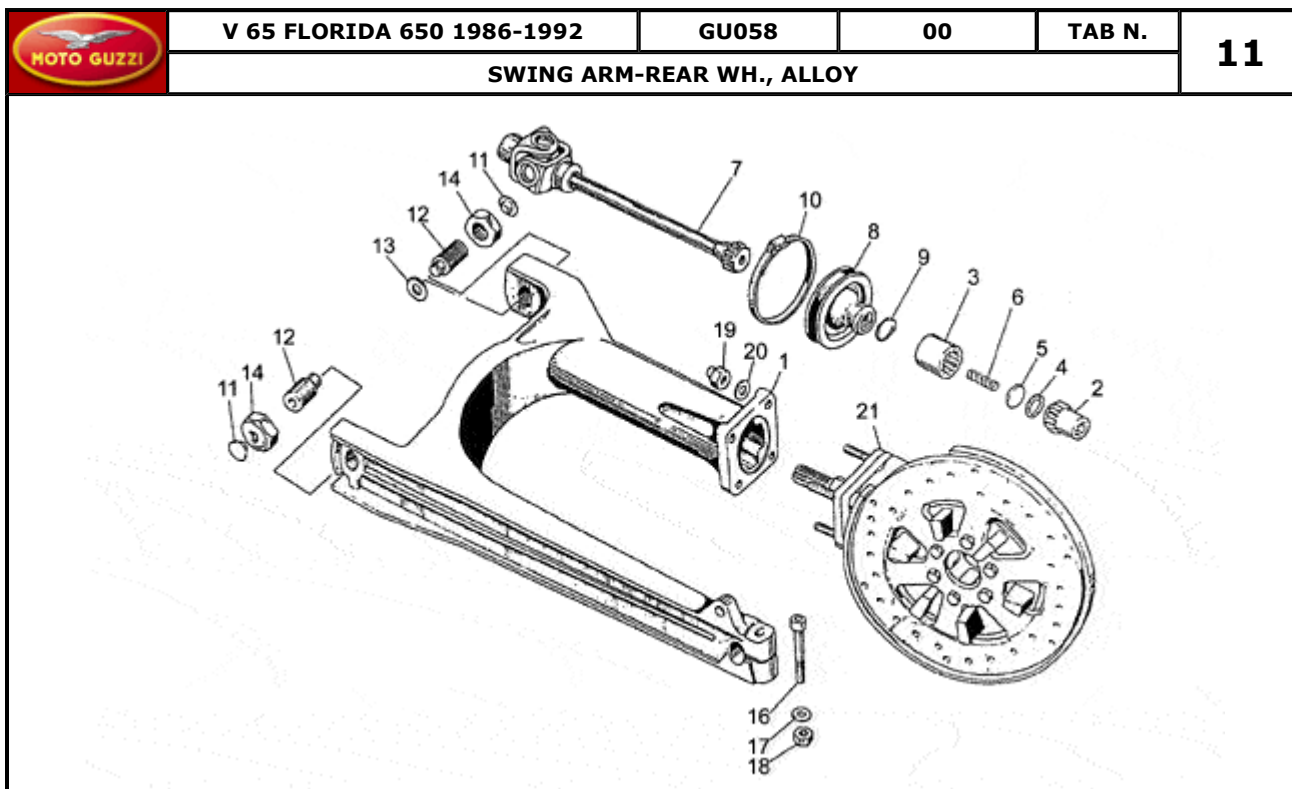
Pos.	Description	Year	I_M_	Country	Version	Code	Q.ty	P.Cod.																					
<table border="1"> <thead> <tr> <th colspan="10">FRONT FORK</th> </tr> <tr> <th colspan="10">09</th> </tr> </thead> </table>										FRONT FORK										09									
FRONT FORK																													
09																													

Pos.	Description	Year	I_M_	Country	Version	Code	Q.ty	P.Cod.
1	Stem base	-	-	-	-	GU23494070	1	
2	Stem plug washer	-	-	-	-	GU18513560	1	
3	Hex screw M10X55	-	-	-	-	GU98072555	1	
4	Washer	-	-	-	-	GU95007210	2	
5	Spacer	-	-	-	-	GU91181016	2	
6	Plug	-	-	-	-	GU18513460	1	
7	Fork upper plate	-	-	-	1A	GU28493100	1	
	Fork upper plate POLIZIA	-	-	-	2A	GU31493140	1	
8	Screw	-	-	-	-	GU98610540	2	
9	Screw	-	-	-	-	GU98612535	1	
10	Steering lock bush	-	-	-	-	GU18516660	1	
11	RH sleeve	-	-	-	-	GU23522570	1	
12	LH sleeve	-	-	-	-	GU23522670	1	
13	Oil seal	-	-	-	-	GU90403857	2	
14	Bush	-	-	-	-	GU20527620	2	
15	Screw	-	-	-	-	GU98622320	2	
16	Washer 6,25x10x1,5	-	-	-	-	GU95100116	4	
17	Sleeve	-	-	-	-	GU23525470	2	
18	Dust cover	-	-	-	-	GU28524500	2	
19	Shock absorber	-	-	-	-	GU23526470	2	
21	End stop	-	-	-	-	GU28527540	2	
22	Spring	-	-	-	-	GU23526910	2	
23	Screw M10X40	-	-	-	-	GU98620540	2	
24	Screw	-	-	-	-	GU98622530	2	
25	Bored screw	-	-	-	-	GU28556450	1	
26	Air valve	-	-	-	-	GU28556250	1	
27	Gasket ring	-	-	-	-	GU90706282	2	
28	Copper washer	-	-	-	-	GU28556350	4	
29	Front shock absorber tube	-	-	-	-	GU19529660	1	
30	Nut	-	-	-	-	GU92781100	2	
32	Flat washer	-	-	-	-	GU27499120	2	
33	RH support	-	-	-	-	GU23496170	1	
34	LH support	-	-	-	-	GU23496270	1	

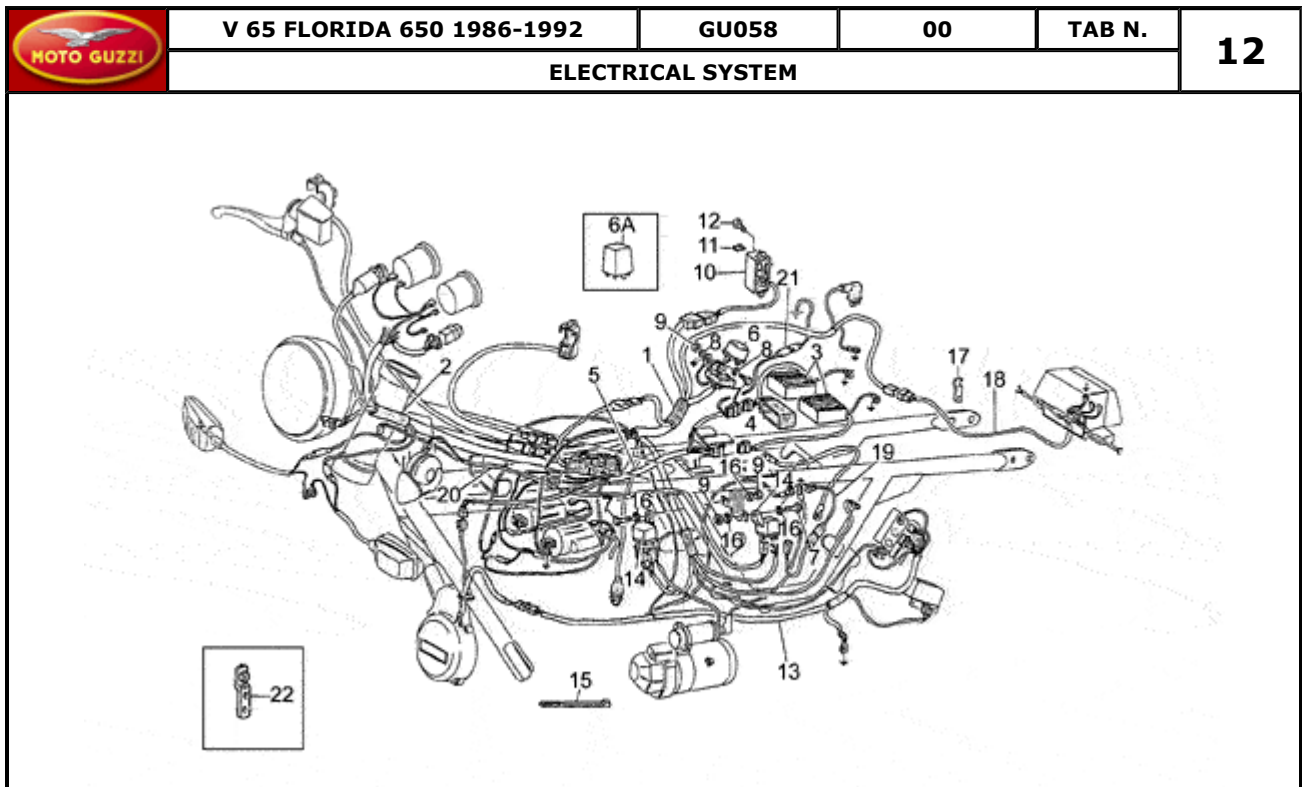
36	O-ring 9x2	-	-	-	-	-	GU90706094	2
37	Spacer	-	-	-	-	-	GU23527910	2
38	Nut	-	-	-	-	-	GU92602308	2
39	Washer 8,4X13X0,8	-	-	-	-	-	GU14615901	4
40	Screw M8X35	-	-	-	-	-	GU98620435	4
41	Handlebar fixing plate	-	-	-	-	-	GU23500210	1
42	Plug	-	-	-	-	-	GU23943410	4
43	Stud bolt	-	-	-	-	-	GU96508021	4
44	Spacer	-	-	-	-	-	GU23497910	2
45	Hex socket screw M8X25	-	-	-	-	-	GU98622425	2
46	Cup	-	-	-	-	-	GU28526540	2
47	Return spring	-	-	-	-	-	GU23526610	2
48	Anti-rubbing pipe	-	-	-	-	-	GU23526370	2
	Anti-rubbing pipe	-	-	-	FS	-	GU27526320	2
49	Spring	-	-	-	FS	-	GU27526685	2
50	Screw	-	-	-	1A	-	GU98620485	2
51	Washer	-	-	-	1A	-	GU95000208	2
52	Nut	-	-	-	1A	-	GU92630508	2



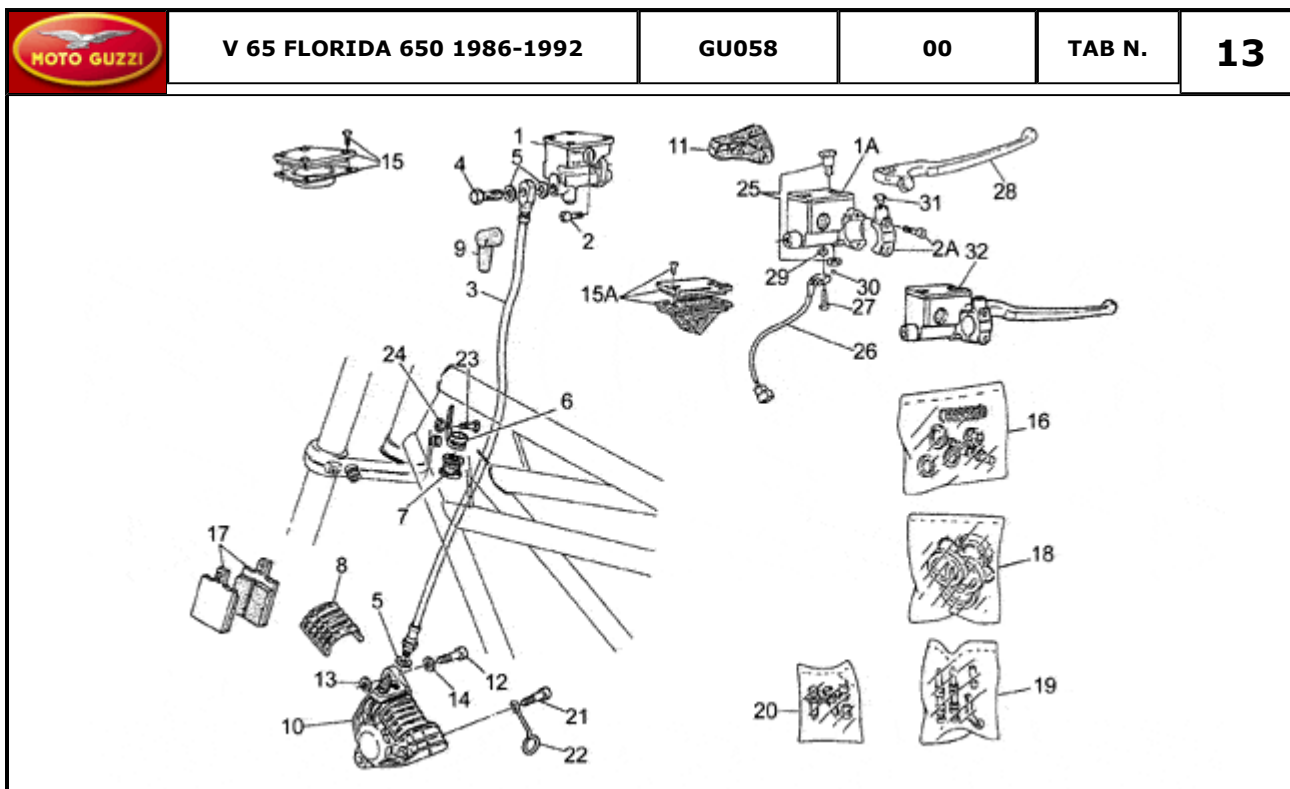
Pos.	Description	Year	I_M_	Country	Version	Code	Q.ty	P.Cod.
1	Transmission complete	-	-	-	-	GU31350231	1	
2	Hose	-	-	-	-	GU19327701	1	
3	Hose	-	-	-	-	GU19328801	1	
4	Circlip	-	-	-	-	GU90272023	1	
5	Disc	-	-	-	-	GU19327601	1	
6	Spring	-	-	-	-	GU94321099	1	
7	Coupling	-	-	-	-	GU23328081	1	
8	Protection collar	-	-	-	-	GU23548080	1	
9	Spring	-	-	-	-	GU23548180	1	
10	Hose clamp	-	-	-	-	GU93305074	1	
11	Swing arm	-	-	-	-	GU27540211002	2	
12	Pin	-	-	-	-	GU19547000	2	
13	Spacer	-	-	-	-	GU35214300	1	
14	Nut	-	-	-	-	GU14547800	2	
16	Screw	-	-	-	-	GU98820545	1	
17	Washer 10,2x18x2	-	-	-	-	GU95004210	1	
18	Nut	-	-	-	-	GU92602210	1	
19	Cap nut	-	-	-	-	GU92781082	4	
20	Washer 8,4x13x0,8	-	-	-	-	GU14615901	4	
21	Plug	-	-	-	-	GU93180105	2	
22	Washer	-	-	-	-	GU95007208	4	
23	Pin	-	-	-	-	GU31544160	1	
24	Washer 14,5x20x1	-	-	-	-	GU95100523	1	
25	Split pin	-	-	-	-	GU95500222	1	



Pos.	Description	Year	I_M	Country	Version	Code	Q.ty	P.Cod.
1	Swing arm	-	-	-	-	GU23540210	1	
2	Hose	-	-	-	-	GU19327701	1	
3	Hose	-	-	-	-	GU19328801	1	
4	Circlip	-	-	-	-	GU90272023	1	
5	Disc	-	-	-	-	GU19327601	1	
6	Spring	-	-	-	-	GU94321099	1	
7	Coupling	-	-	-	-	GU23328081	1	
8	Protection collar	-	-	-	-	GU23548080	1	
9	Spring	-	-	-	-	GU23548180	1	
10	Hose clamp	-	-	-	-	GU93305074	1	
11	Plug	-	-	-	-	GU93180105	2	
12	Pin	-	-	-	-	GU19547000	2	
13	Spacer	-	-	-	-	GU35214300	1	
14	Nut	-	-	-	-	GU14547800	2	
16	Screw	-	-	-	-	GU98820545	1	
17	Washer 10,2x18x2	-	-	-	-	GU95004210	1	
18	Nut	-	-	-	-	GU92602210	1	
19	Cap nut	-	-	-	-	GU92781082	4	
20	Washer 8,4X13X0,8	-	-	-	-	GU14615901	4	
21	Transmission complete	-	-	-	-	GU31350200	1	

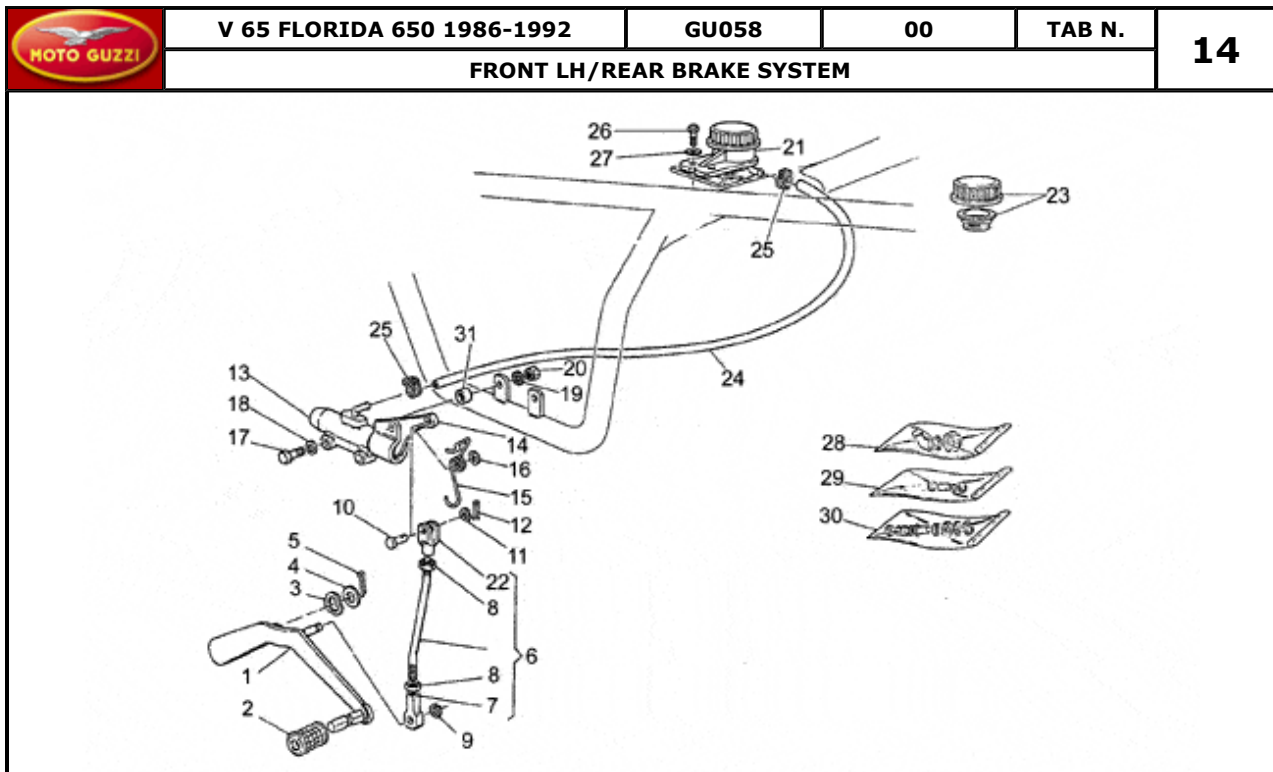


Pos.	Description	Year	I_M	Country	Version	Code	Q.ty	P.Cod.
1	Electrical system	-	-	-	S-T1	GU23747171	1	
	Electrical system	-	-	-	S-T2	GU31747161	1	
	Electrical system	-	-	-	B	GU23747170	1	
2	Dashboard cable	-	-	-	1A	GU23747210	1	
	Dashboard cable	-	-	-	2A	GU23747211	1	
3	ECU elettronica	-	-	-	-	GU23721493	2	
4	Flexible support	-	-	-	-	GU27723835	2	
5	H.T. wiring	-	-	-	-	GU31722140	1	
6	Flasher unit	-	-	-	-	GU17750520	1	
	Flasher unit	-	-	D	-	GU28750561	1	
7	Screw	-	-	-	-	GU98054212	3	
8	Washer	-	-	-	-	GU95000205	2	
9	Nut	-	-	-	-	GU92602205	3	
10	Rubber fuse box	-	-	-	-	GU23743010	1	
11	Fuse 15A	-	-	-	-	GU28742560	4	
12	Screw	-	-	-	-	GU98620212	2	
13	Alternator-regulator wiring	-	-	-	B	GU19725820	1	
	Alternator-regulator wiring	-	-	-	S-T2	GU23725870	1	
	Alternator-regulator wiring	-	-	-	S-T1	GU27725820	1	
14	Starter relay	-	-	-	MB	GU19732500	2	
	Starting relay	-	-	-	MV	GU30732510	1	
15	Hose clamp 3,6x20,6	-	-	-	-	GU14609650	0	
	Hose clamp	-	-	-	-	GU61609630	0	
16	Washer 5,25x14x1,5	-	-	-	-	GU95100059	4	
17	U-bolt	-	-	-	-	GU93301315	1	
18	Taillight wiring harn.	-	-	-	-	GU23747310	1	
19	Wire	-	-	-	-	GU23748210	1	
20	Wire	-	-	-	-	GU23748310	1	
21	Capacitor	-	-	-	-	GU27710435	1	
22	Plate	-	-	-	-	GU31584630	2	


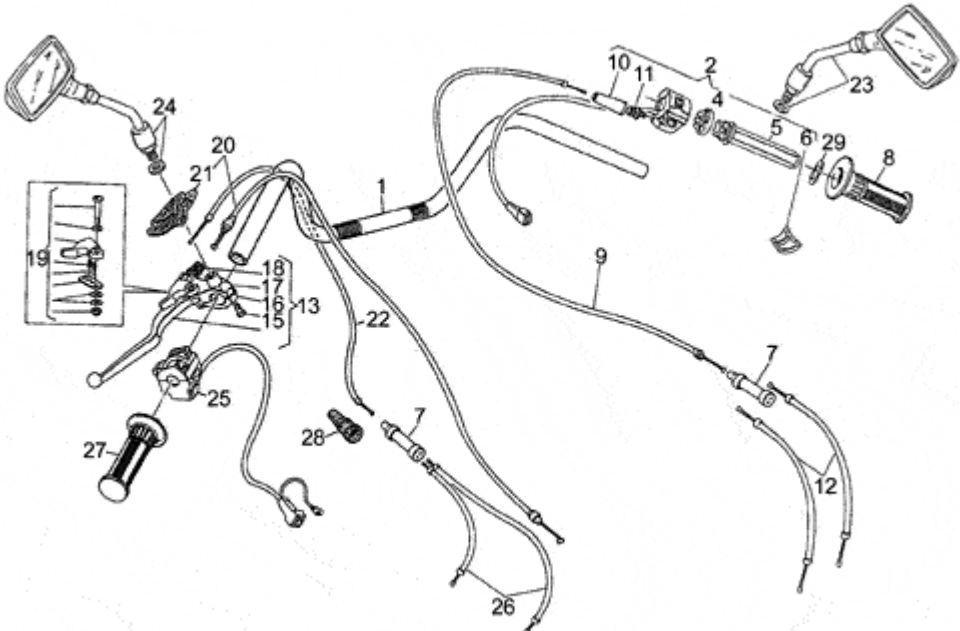


Pos.	Description	Year	I_M	Country	Version	Code	Q.ty	P.Cod.
1	Front master cilinder	-	-	-	CM	GU29660250	1	
	Front master cilinder	-	-	-	CD	GU28660278	1	
2	Bracket	-	-	-	CD	GU27664075	1	
	Screw	-	-	-	CM	GU98812216	2	
3	Front brake line	-	-	-	-	GU23657110	1	
4	Oil pipe screw *	-	-	-	-	GU95990028	1	
5	Gasket	-	-	-	-	GU25656100	3	
6	Hose clamp	-	-	-	-	GU17658360	1	
7	Ring	-	-	-	-	GU17658260	1	
8	Brake caliper cover BREMBO	-	-	-	-	GU39654700	1	
	Brake caliper cover GRIMECA	-	-	-	29895C	GU31654765	1	
9	Cap	-	-	-	-	GU39663801	1	
10	RH front brake caliper Grimeca	-	-	-	29895C	GU31652365	1	
11	Cap	-	-	-	CD	GU27663615	1	
12	Screw	-	-	-	-	GU98622422	2	
13	Washer 8,5X18X0,5	-	-	-	-	GU95100250	1	
	Washer 8,5X18X0,8	-	-	-	-	GU95100251	1	
14	Spring washer 8x15x0,3	-	-	-	-	GU61270300	2	
15	Cover	-	-	-	CM	GU23661110	1	
	Pump cover	-	-	-	CD	GU27661115	1	
16	Brake mast.cyl rev. kit	-	-	-	CM	GU23659310	1	
	Pump revision kit	-	-	-	CD	GU28659378	1	
17	Pads pair	-	-	-	-	GU31654660	1	
	Pads pair GRIMECA	-	-	-	29895C	GU31654665	2	
	Pads pair BREMBO	-	-	-	-	GU27654610	1	
18	Brake caliper rev. kit BREMBO	-	-	-	-	GU39659000	1	
	Brake caliper rev. kit GRIMECA	-	-	-	29895C	GU66659031	1	
19	Pins+spring BREMBO	-	-	-	-	GU39659100	1	
	Pins+spring GRIMECA	-	-	-	29895C	GU31659165	2	
20	Bleeder+cap BREMBO D.10	-	-	-	-	GU31659260	1	
	Bleeder+cap BREMBO D.6	-	-	-	-	GU65659200	1	
	Bleeder+cap GRIMECA	-	-	-	29895C	GU31659265	1	
21	Hex socket screw M8X25	-	-	-	-	GU98622425	1	


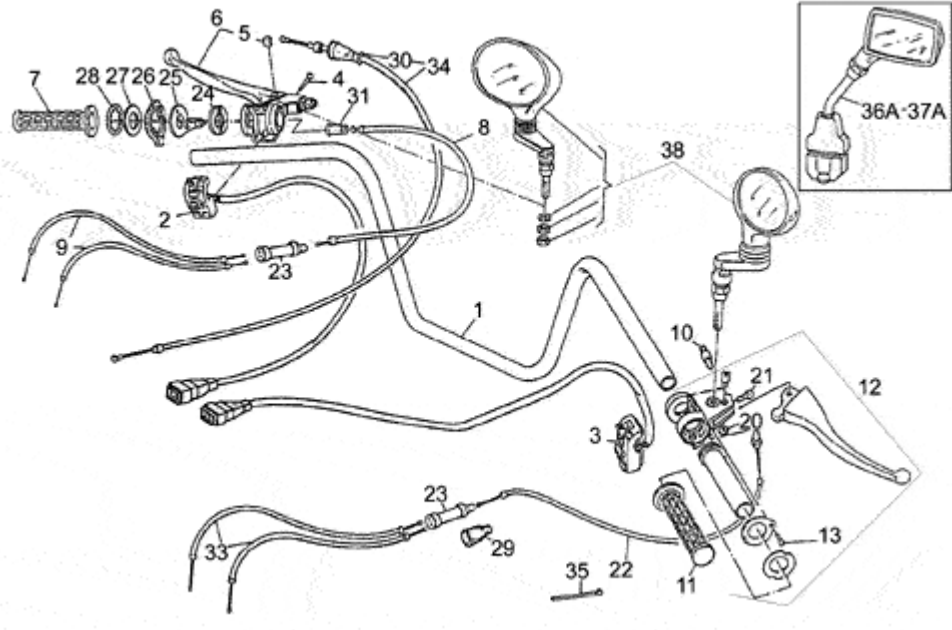
22	Cable-guide	-	-	-	-	-	GU23655770	1
23	Screw	-	-	-	-	-	GU98280410	1
24	Nut M4x0,7	-	-	-	-	-	GU92630104	1
25	Pin	-	-	-	CD	-	GU27604815	1
26	Brake light switch	-	-	-	CD	-	GU27749815	1
27	Screw	-	-	-	CD	-	GU98200214	2
28	Front brake lever	-	-	-	CD	-	GU28605678	1
29	Nut	-	-	-	CD	-	GU92608202	2
30	Ball	-	-	-	CD	-	GU92295708	1
31	Plug	-	-	-	CD	-	GU93180080	2
32	Front master cilinder	-	-	-	CD	-	GU28660178	1



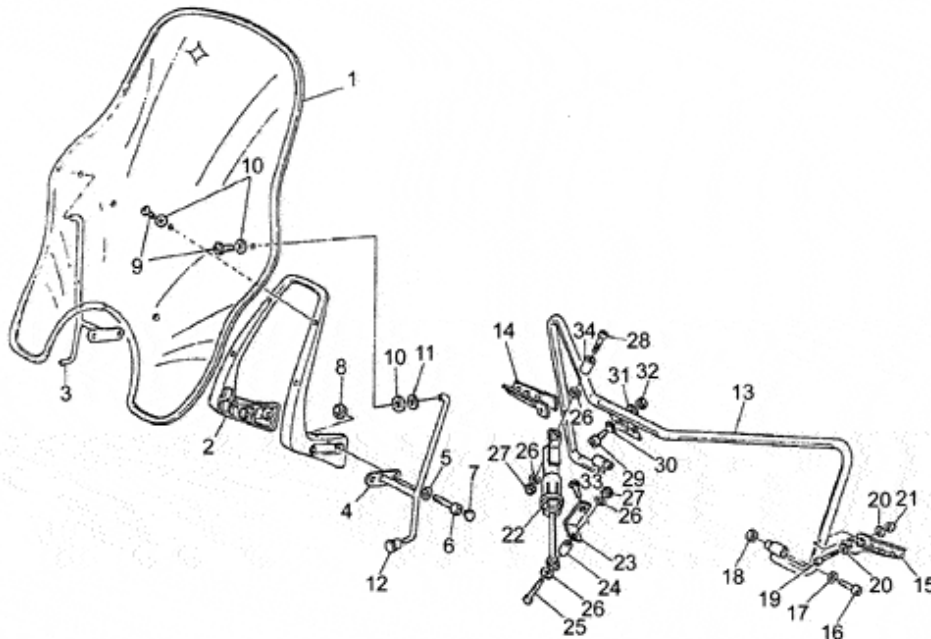
Pos.	Description	Year	I_M_	Country	Version	Code	Q.ty	P.Cod.
1	Rear brake lever	-	-	-	-	GU19677000	1	
2	Rubber spacer	-	-	-	-	GU14251001	1	
3	Spring washer	-	-	-	-	GU95129260	1	
4	Flat washer	-	-	-	-	GU95004215	1	
5	Split pin	-	-	-	-	GU95500227	1	
6	Change gear tie rod compl.	-	-	-	-	GU19675000	1	
7	Block	-	-	-	-	GU18257551	1	
8	Nut	-	-	-	-	GU92690073	2	
9	Circlip	-	-	-	-	GU90271008	1	
10	Pin	-	-	-	-	GU95770265	1	
11	Washer	-	-	-	-	GU95129110	1	
12	Split pin	-	-	-	-	GU95500222	1	
13	Rear master cylinder	-	-	-	-	GU31666990	1	
14	Rear brake lever	-	-	-	-	GU19667500	1	
15	Rear brake lever spring	-	-	-	-	GU19667600	1	
16	Washer 6,15x11x0,8	-	-	-	-	GU95004206	1	
17	Screw	-	-	-	-	GU98054330	2	
18	Washer	-	-	-	-	GU95000206	2	
19	Notched washer	-	-	-	-	GU95021106	2	
20	Nut	-	-	-	-	GU92602206	2	
21	Brake oil tank	-	-	-	-	GU65663500	1	
22	Fork	-	-	-	-	GU31626860	1	
23	Tank cap	-	-	-	-	GU17661052	1	
24	Rear brake hose	-	-	-	-	GU00823950050	1	
25	Hose clamp	-	-	-	-	GU19157800	2	
26	Hex screw M6X16	-	-	-	-	GU98054316	2	
27	Washer	-	-	-	-	GU95000206	2	
28	Pump connection overhaul unit	-	-	-	-	GU19659500	1	
29	Lever overhaul kit	-	-	-	-	GU19659600	1	
30	Pump revision kit	-	-	-	-	GU17659350	1	
31	Spacer 7X12X5	-	-	-	-	GU91180705	2	

	V 65 FLORIDA 650 1986-1992	GU058	00	TAB N.	15			
	DOMINO-CEV HANDLEBAR CONTR.							
								
Pos.	Description	Year	I_M	Country	Version	Code	Q.ty	P.Cod.

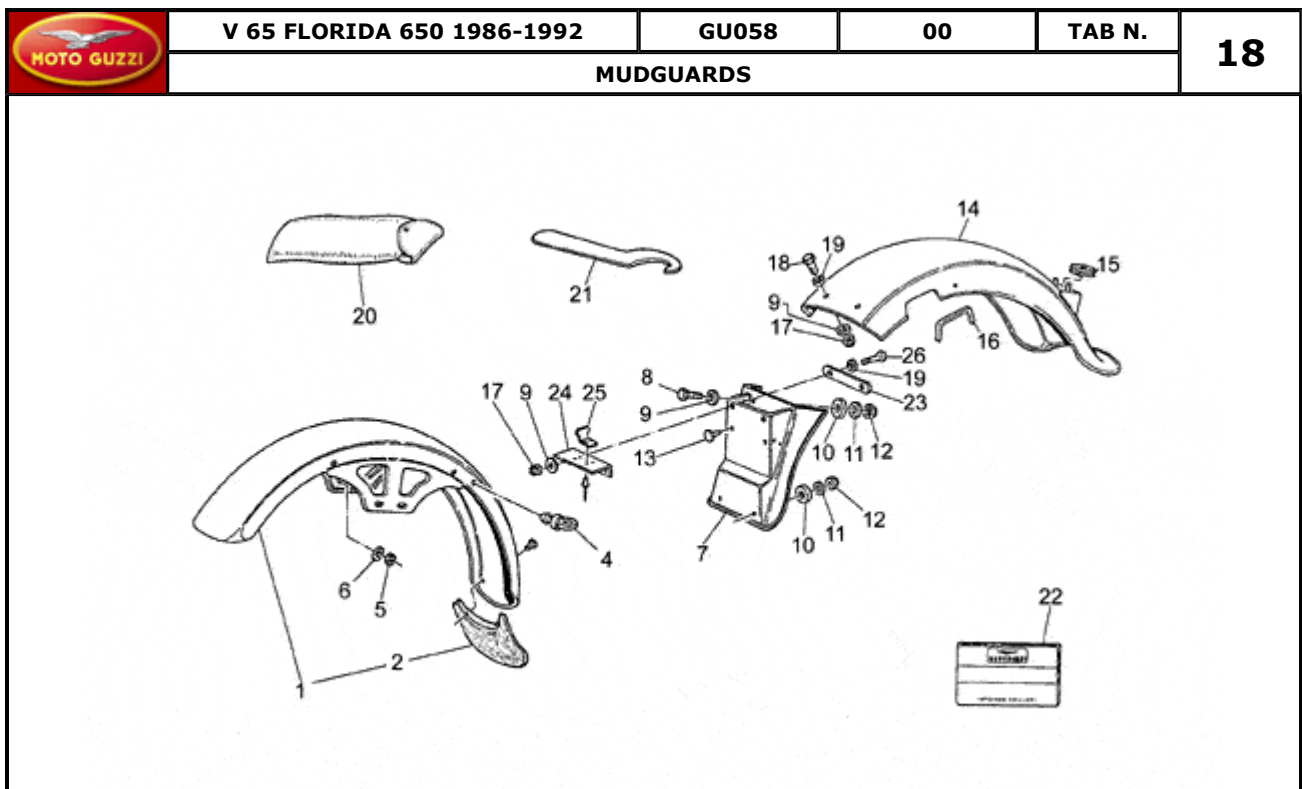
1	Handlebar	-	-	-	-	GU29600351	1	
2	Throttle	-	-	-	-	GU27603400	1	
4	Steering block	-	-	-	-	GU27604415	1	
5	Mobile body	-	-	-	-	GU27603815	1	
6	Cable guide	-	-	-	-	GU27604515	1	
7	Splitter	-	-	-	-	GU30607910	2	
8	RH hand grip	-	-	-	-	GU19603515	1	
9	Throttle cable	-	-	-	-	GU27117515	1	
10	Cap	-	-	-	-	GU27117615	1	
11	Adjuster screw	-	-	-	-	GU27603715	1	
12	Throttle cable	-	-	-	-	GU27117775	2	
13	Clutch lever cpl.	-	-	-	-	GU30605530	1	
15	Screw	-	-	-	-	GU27601215	2	
16	U-bolt	-	-	-	-	GU27601015	1	
17	Clutch lever U-bolt	-	-	-	-	GU27601815	1	
18	Register	-	-	-	-	GU30602500	1	
19	Starter lever	-	-	-	-	GU27659415	1	
20	Clutch cable	-	-	-	-	GU31093061	1	
21	Protection	-	-	-	-	GU27663815	1	
22	Choke cable	-	-	-	-	GU27132815	1	
23	RH rearview mirror	-	-	-	-	GU14769870	1	
24	LH rearview mirror	-	-	-	-	GU14769470	1	
25	LH lights selector	-	-	-	-	GU27738015	1	
26	Choke cable	-	-	-	-	GU27133515	2	
27	LH hand grip	-	-	-	-	GU19603015	1	
28	Cap	-	-	-	-	GU12717600	2	
29	Nylon washer	-	-	-	-	GU29606970	1	

		V 65 FLORIDA 650 1986-1992		GU058	00	TAB N.	16		
MAGURA HANDLEBAR CONTROLS									
									
Pos.	Description	Year	I_M	Country	Version	Code	Q.ty	P.Cod.	
1	Handlebar	-	-	-	-	GU29600351	1		
2	LH lights selector	-	-	-	-	GU23738070	1		
3	RH lights selector	-	-	-	-	GU23750370	1		
4	Screw	-	-	-	-	GU98260425	2		
5	Bush	-	-	-	-	GU29608750	1		
6	Clutch lever	-	-	-	-	GU29605550	1		
7	LH hand grip	-	-	-	-	GU29603050	1		
8	Choke cable	-	-	-	-	GU23132810	1		
9	Choke cable	-	-	-	-	GU27133515	2		
10	Brake light switch	-	-	-	-	GU39741101	1		
11	RH hand grip	-	-	-	-	GU29603550	1		
12	Throttle cable assy	-	-	-	-	GU29999250	1		
13	Screw	-	-	-	-	GU98280410	1		
20	Nut	-	-	-	-	GU92601206	1		
21	Hex socket screw M6x16	-	-	-	-	GU98612316	1		
22	Throttle cable	-	-	-	-	GU23117570	1		
23	Splitter	-	-	-	-	GU30607910	2		
24	Ring	-	-	-	-	GU29132050	1		
25	Choke control	-	-	-	-	GU29133250	1		
26	Starter lever	-	-	-	-	GU29132350	1		
27	Washer	-	-	-	-	GU29132650	1		
28	Ring	-	-	-	-	GU17751100	1		
29	Cap	-	-	-	-	GU12717600	2		
30	Bellows	-	-	-	-	GU23093870	1		
31	Rubber spacer	-	-	-	-	GU29132750	1		
33	Throttle cable	-	-	-	-	GU23117770	2		
34	Clutch cable	-	-	-	-	GU23093070	1		
35	Hose clamp 3,6x20,6	-	-	-	-	GU14609650	1		
	Hose clamp	-	-	-	-	GU61609630	1		
36	LH rearview mirror	N	-	D	20KW	GU29769460	1		
37	LH rearview mirror	N	-	D	20KW	GU29769860	1		
38	Mirrors-pair	-	-	-	-	GU23999570	1		


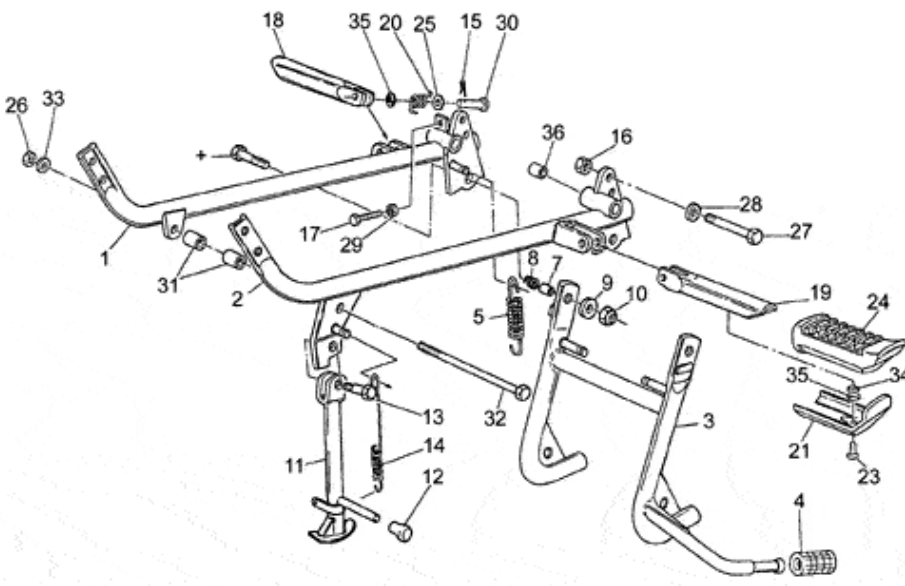
	V 65 FLORIDA 650 1986-1992	GU058	00	TAB N.	17
	WINDSCREEN-FRONT BUMPERS				

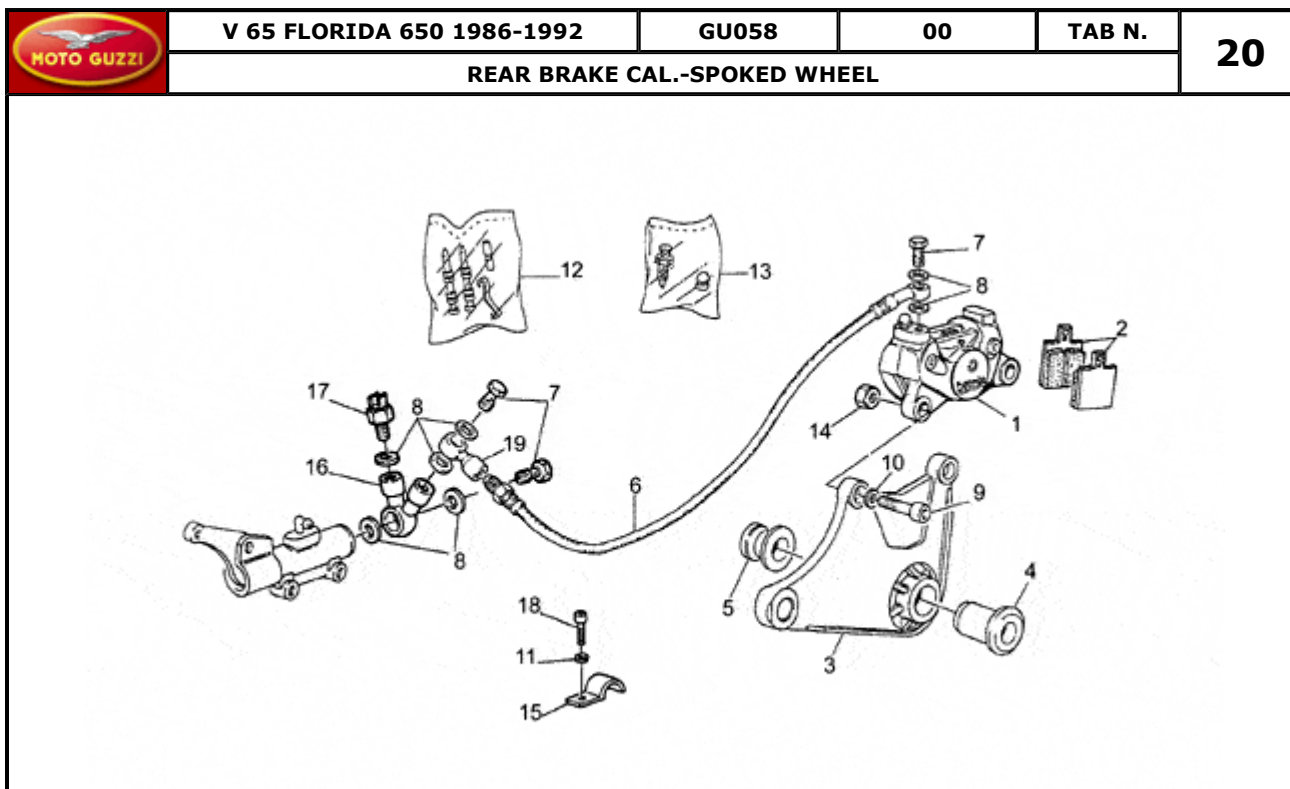


Pos.	Description	Year	I_M_	Country	Version	Code	Q.ty	P.Cod.
1	Windscreen	-	-	-	-	GU23577270	1	
2	Windscreen support	-	-	-	-	GU66506820	1	
3	RH clamp	-	-	-	-	GU23506810	1	
4	LH clamp	-	-	-	-	GU23506910	1	
5	Washer 10,2x18x2	-	-	-	-	GU95004210	2	
6	Screw	-	-	-	-	GU98622535	2	
7	Plug	-	-	-	-	GU23943510	2	
8	Nut M10x1,5	-	-	-	-	GU92630510	2	
9	Screw	-	-	-	-	GU98326016	6	
10	Rubber spacer	-	-	-	-	GU93110060	12	
11	Washer 6,25X11X1	-	-	-	-	GU95100119	2	
12	Rubber spacer	-	-	-	-	GU23576910	2	
13	Front bumper	-	-	-	-	GU23450210	1	
14	RH footrest	-	-	-	-	GU23447610	1	
15	LH footrest	-	-	-	-	GU23447710	1	
16	Screw	-	-	-	-	GU98622545	2	
17	Washer	-	-	-	-	GU95120105	2	
18	Nut	-	-	-	-	GU92602210	2	
19	Hex socket screw M6X50	-	-	-	-	GU98620350	2	
20	Washer 6,15x11x0,8	-	-	-	-	GU95004206	4	
21	Nut M6x1	-	-	-	-	GU92630106	2	
22	Steering shock absorber	-	-	-	-	GU17530260	1	
23	Clamp	-	-	-	-	GU23531860	1	
24	Spacer	-	-	-	-	GU91180618	1	
25	Screw	-	-	-	-	GU98620340	1	
26	Washer	-	-	-	-	GU95000206	4	
27	Nut M6x1	-	-	-	-	GU92630106	2	
28	Screw M6X45	-	-	-	-	GU98620345	1	
29	Hex socket screw M8X25	-	-	-	-	GU98622425	2	
30	Spring washer	-	-	-	-	GU95021108	2	
31	Washer	-	-	-	-	GU95000208	2	
32	Nut M8X1,25	-	-	-	-	GU92602208	2	
33	Screw	-	-	-	-	GU98072570	1	
34	Spacer	-	-	-	-	GU23451170	1	



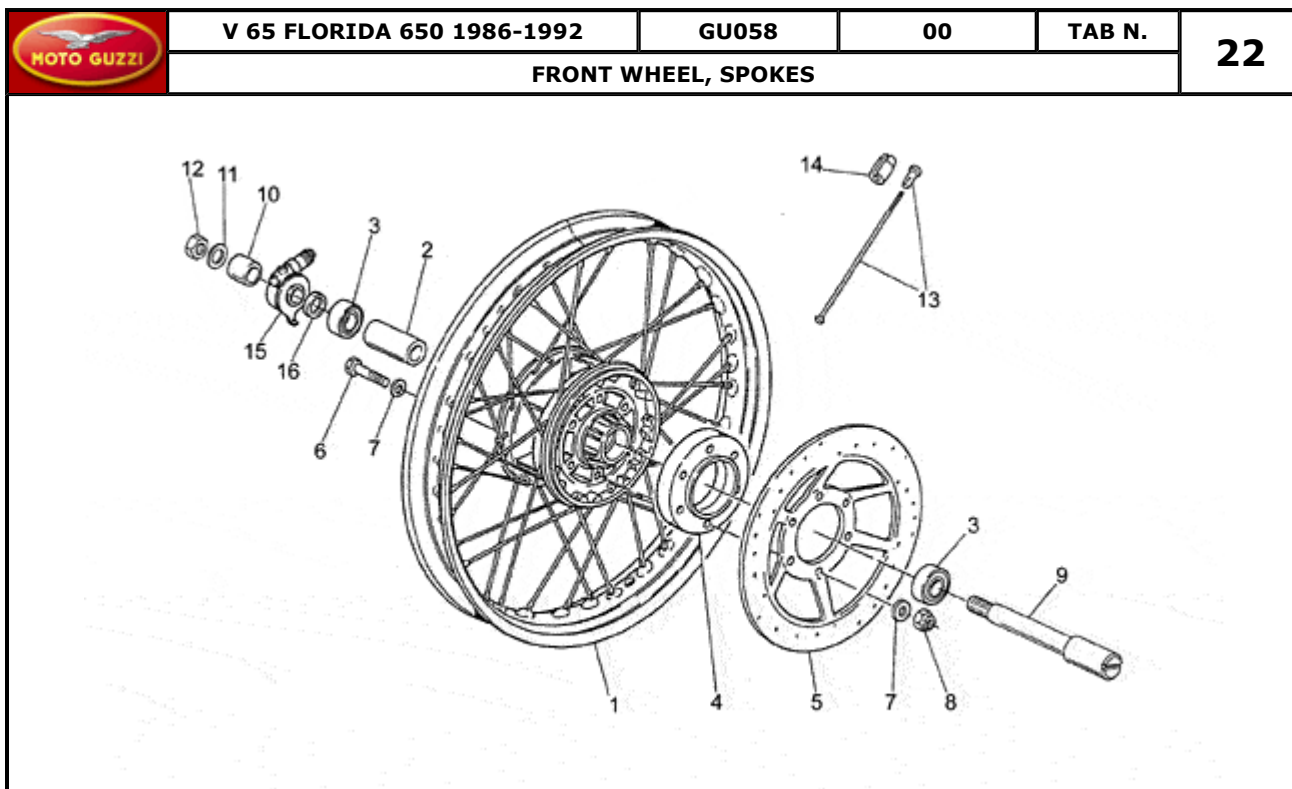
Pos.	Description	Year	I_M_	Country	Version	Code	Q.ty	P.Cod.
1	Front mudguard	-	-	-	-	GU23434210	1	
2	Splash guard	-	-	-	-	GU27436920	1	
4	Eyelet	-	-	-	-	GU28659740	2	
5	Nut M8X1,25	-	-	-	-	GU92602208	4	
6	Spring washer 8x15x0,3	-	-	-	-	GU61270300	4	
7	Splash guard	-	-	-	-	GU19438770	1	
8	Screw	-	-	-	-	GU98054325	2	
9	Washer 6,2X18X1	-	-	-	-	GU95100118	8	
10	Rubber spacer	-	-	-	-	GU93110060	10	
11	Washer 6,4x12x1,2	-	-	-	-	GU95100141	4	
12	Nut M6x1	-	-	-	-	GU92630106	4	
13	Drift	-	-	-	-	GU19705900	2	
14	Rear mudguard	-	-	-	-	GU23437010	1	
15	Rubber spacer	-	-	-	-	GU91551099	1	
16	Gasket	-	-	-	-	GU23438980	2	
17	Nut M6x1	-	-	-	-	GU92630106	2	
18	Hex screw M6X20	-	-	-	-	GU98054320	2	
19	Washer	-	-	-	-	GU95000206	6	
20	Toolkit	-	-	-	-	GU28929940	1	
21	Shock abs. adj. Wrench	-	-	-	-	GU14912755	1	
22	Operator's handbook	-	-	I	-	GU23900010	1	
	Operator's handbook	-	-	UK	-	GU23900011	1	
	Operator's handbook	-	-	D	-	GU23900012	1	
	Operator's handbook	-	-	F	-	GU23900013	1	
23	Plate	-	-	-	-	GU23439210	1	
24	Control unit fixing plate	-	-	-	-	GU23439010	1	
25	Holder	-	-	-	-	GU23438510	2	
26	Screw	-	-	-	-	GU98054312	2	

		V 65 FLORIDA 650 1986-1992	GU058	00	TAB N.	19		
FOOT RESTS - LATERAL STAND								
								
Pos.	Description	Year	I_M	Country	Version	Code	Q.ty	P.Cod.
1	RH cradle arm	-	-	-	-	GU23420310	1	
2	LH cradle arm	-	-	-	-	GU23422110	1	
3	Central stand	-	-	-	-	GU23430370	1	
4	Rubber pedal	-	-	-	-	GU13432640	1	
5	Lateral stand spring	-	-	-	-	GU12434001	2	
6	Screw	-	-	-	-	GU98054530	2	
7	Spacer	-	-	-	-	GU91181114	2	
8	Spring	-	-	-	-	GU94322215	2	
9	Washer	-	-	-	-	GU95000210	2	
10	Nut M10x1,5	-	-	-	-	GU92630510	2	
11	Lateral stand	-	-	-	-	GU23432011	1	
12	Lockup rubber	-	-	-	-	GU19433000	1	
13	Pin	-	-	-	-	GU99105129	1	
14	Spring	-	-	-	-	GU23434010	2	
15	Split pin	-	-	-	-	GU95401215	2	
16	Nut	-	-	-	-	GU92602210	2	
17	Hex screw M6X22	-	-	-	-	GU98054322	1	
18	RH front foot rest pipe	-	-	-	-	GU23440710	1	
19	LH front foot rest pipe	-	-	-	-	GU23441810	1	
20	Spring	-	-	-	-	GU23441110	2	
21	Plate	-	-	-	-	GU23441210	2	
23	Screw	-	-	-	-	GU98054314	2	
24	Rubber pedal	-	-	-	-	GU23443210	2	
25	Washer	-	-	-	-	GU95000208	2	
26	Nut	-	-	-	-	GU92602210	1	
27	Screw	-	-	-	-	GU98052565	2	
28	Washer 10,2x18x2	-	-	-	-	GU95004210	2	
29	Nut	-	-	-	-	GU92602206	1	
30	Pin	-	-	-	-	GU23442210	2	
31	Bush	-	-	-	-	GU19017000	2	
32	Pin M10x250	-	-	-	-	GU53429500	1	
33	Washer 10,2x18x2	-	-	-	-	GU95004210	1	
34	Spacer	-	-	-	-	GU91180602	2	
35	Spring washer	-	-	-	-	GU95129130	4	
36	Bush 18 mm est.	-	-	-	-	GU28252060	4	
	Bush 19 mm	-	-	-	-	GU18252050	4	

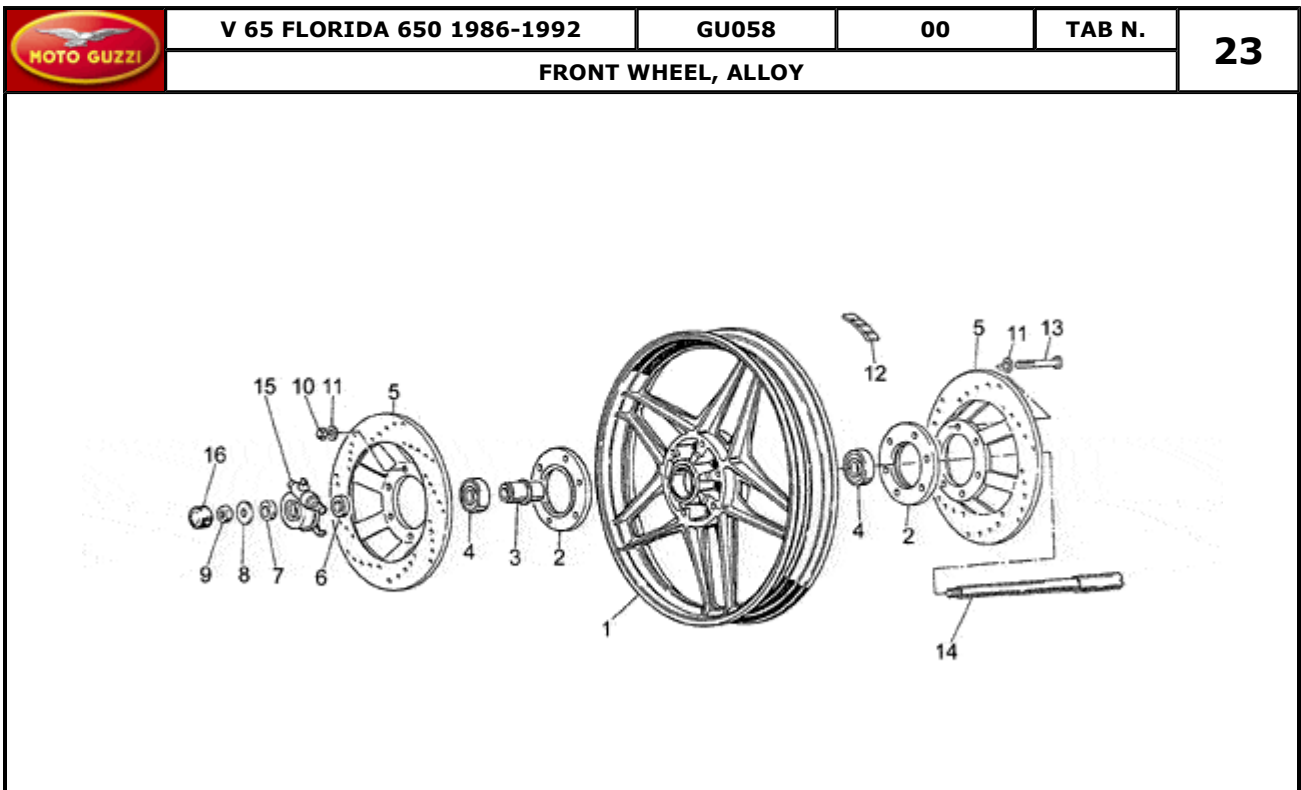


Pos.	Description	Year	I_M	Country	Version	Code	Q.ty	P.Cod.
1	Rear brake caliper	-	-	-	-	GU23653011	1	
2	Pads pair	-	-	-	-	GU31654660	1	
3	Brake hanger plate	-	-	-	-	GU27635811	1	
4	Bush	-	-	-	-	GU31634230	1	
5	Spacer	-	-	-	-	GU31634130	1	
6	Brake fluid line	-	-	-	-	GU27657120	1	
7	Oil pipe screw *	-	-	-	-	GU95990028	3	
8	Gasket	-	-	-	-	GU25656100	7	
9	Screw	-	-	-	-	GU98612425	2	
10	Spring washer 8x15x0,3	-	-	-	-	GU61270300	2	
11	Washer	-	-	-	-	GU95000206	1	
12	Pins+spring BREMBO	-	-	-	-	GU31659160	1	
13	Bleeder+cap BREMBO D.10	-	-	-	-	GU31659260	1	
14	Nut M8X1,25	-	-	-	-	GU92602208	1	
15	U-bolt	-	-	-	-	GU93301313	1	
16	Connection	-	-	-	-	GU19668000	1	
17	Switch	-	-	-	-	GU63657000	1	
18	Screw	-	-	-	-	GU98622310	1	
19	Union	-	-	-	-	GU19655265	1	

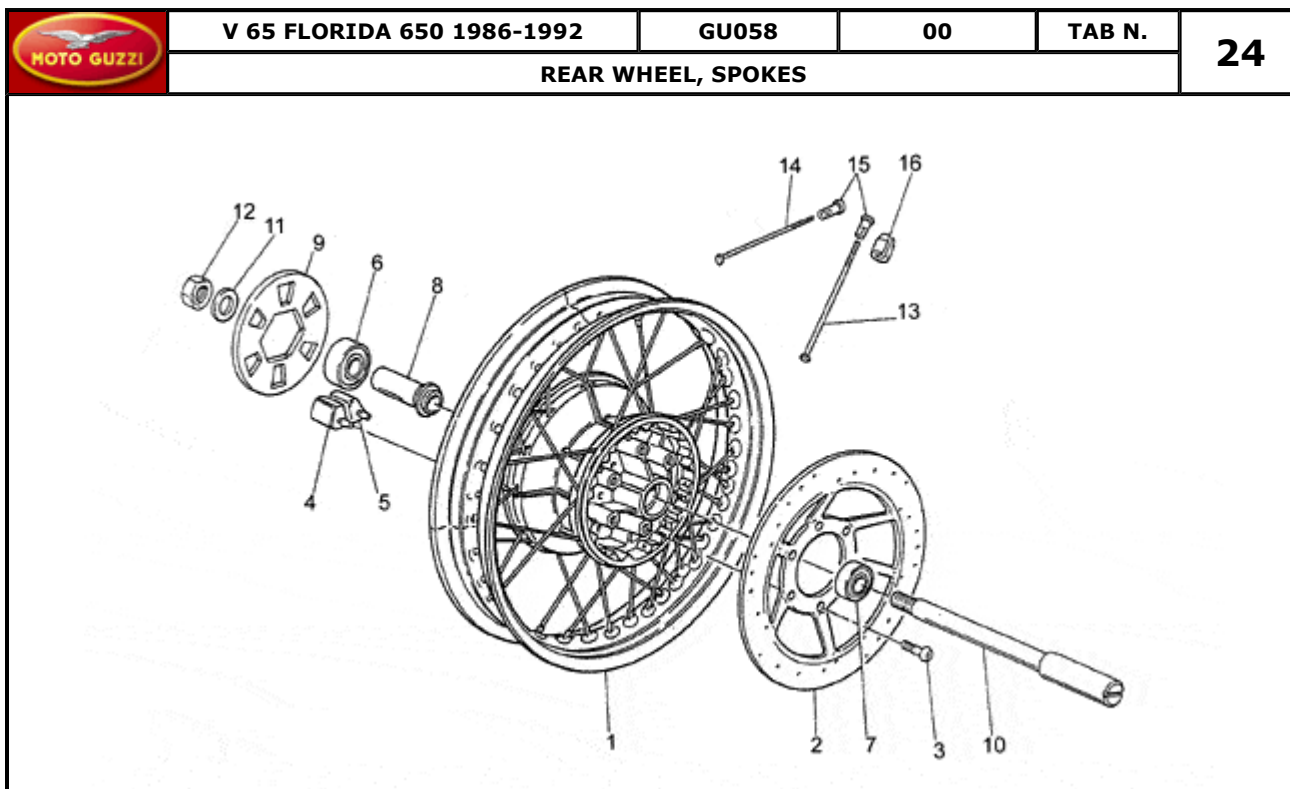
MOTO GUZZI		V 65 FLORIDA 650 1986-1992	GU058	00	TAB N.	21		
BRAKE CALIPERS								
Pos.	Description	Year	I_M_	Country	Version	Code	Q.ty	P.Cod.
1	Rear brake caliper	-	-	-	2A	GU23653011	1	
	Rear brake caliper	-	-	-	1A-E2	0000000	1	
2	Screw	-	-	-	-	GU98622422	2	
3	Spring washer 8x15x0,3	-	-	-	-	GU61270300	2	
4	Nut M8X1,25	-	-	-	-	GU92602208	2	
6	Connection	-	-	-	-	GU19668000	1	
7	Brake hose	-	-	-	RG	GU19658660	1	
8	Oil pipe screw *	-	-	-	-	GU95990028	2	
9	Gasket	-	-	-	-	GU25656100	7	
10	Brake light switch	-	-	-	-	GU14657050	1	
11	Cap	-	-	-	-	GU12735100	1	
12	Pipe	-	-	-	-	GU19658735	1	
13	Eyelet	-	-	-	-	GU19436500	1	
14	Protection	-	-	-	-	GU17573860	1	
15	Hose clamp 3,6x20,6	-	-	-	-	GU14609650	3	
16	Brake hose	-	-	-	-	GU17658860	1	
17	Brake caliper cover GRIMECA	-	-	-	29895C	GU31654765	1	
	LH front brake caliper Grimeca	-	-	-	29895C	GU31652265	1	
18	Brake caliper cover BREMBO	-	-	-	1A	GU39654700	2	
19	Screw	-	-	-	-	GU98622422	2	
20	Pads pair BREMBO	-	-	-	-	GU27654610	2	
	Pads pair	-	-	-	-	GU31654660	2	
	Pads pair GRIMECA	-	-	-	29895C	GU31654665	2	
21	Washer 8,5X18X0,5	-	-	-	-	GU95100250	1	
	Washer 8,5X18X0,8	-	-	-	-	GU95100251	1	
22	Brake caliper rev. kit BREMBO	-	-	-	-	GU39659000	2	
	Brake caliper rev. kit GRIMECA	-	-	-	29895C	GU66659031	1	
23	Pins+spring GRIMECA	-	-	-	29895C	GU31659165	2	
	Pins+spring BREMBO	-	-	-	2A	GU31659160	1	
	Pins+spring BREMBO	-	-	-	1A	GU39659100	1	
24	Bleeder+cap BREMBO D.10	-	-	-	-	GU31659260	1	
	Bleeder+cap BREMBO D.6	-	-	-	-	GU65659200	1	
	Bleeder+cap GRIMECA	-	-	-	29895C	GU31659265	1	
25	Support	-	-	D	-	GU23415670	1	
26	Valve 4,5/26	-	-	D	-	GU19668565	1	
27	Pipe	-	-	D	-	GU23657870	1	
28	Pipe	-	-	D	-	GU23658770	1	



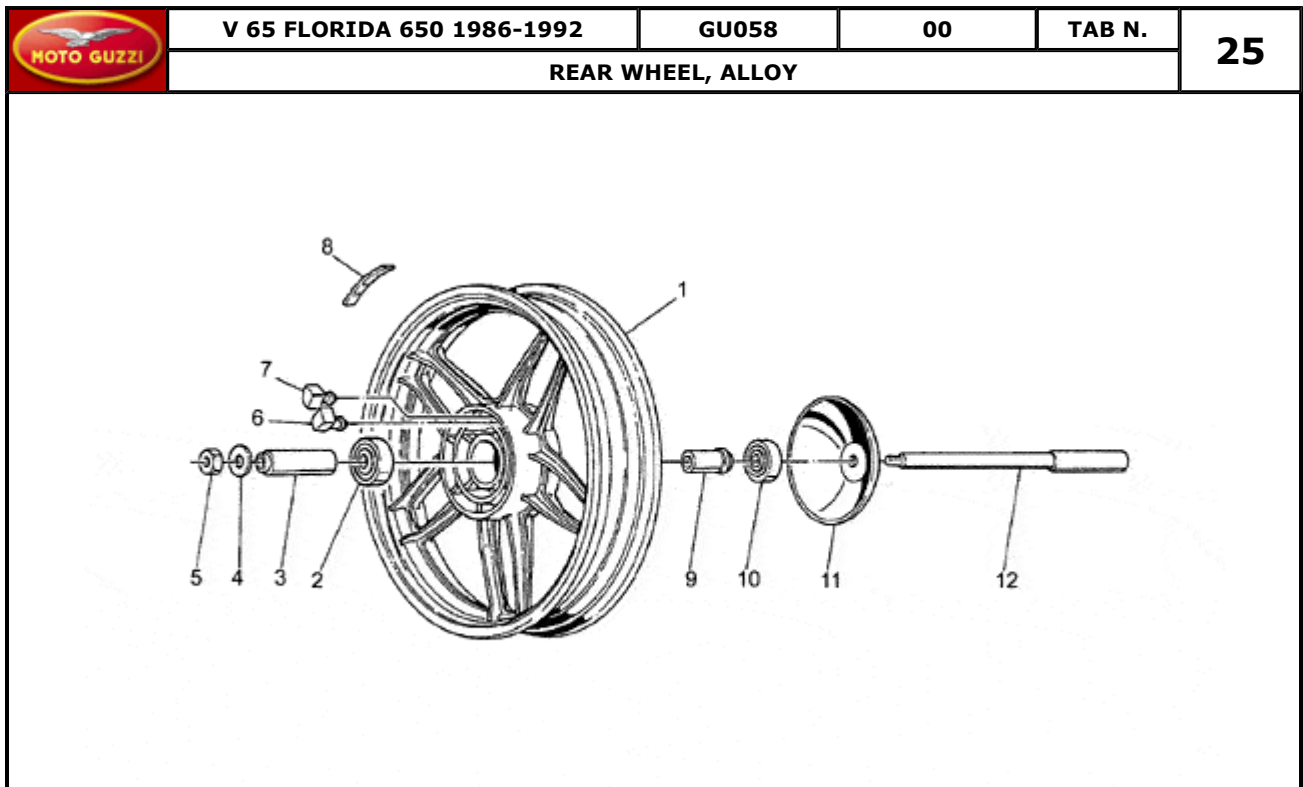
Pos.	Description	Year	I_M	Country	Version	Code	Q.ty	P.Cod.
1	Front wheel	-	-	-	-	GU23610370	1	
2	Spacer	-	-	-	-	GU19615235	1	
3	Bearing	-	-	-	-	GU92204217	2	
4	Spacer	-	-	-	-	GU23611271	2	
5	Brake disc	-	-	-	-	GU31613335	2	
	Brake disc	-	-	-	b	GU31613380	2	
6	Hex screw M8X75	-	-	-	-	GU98052475	6	
7	Washer	-	-	-	-	GU95000208	12	
8	Cap nut	-	-	-	-	GU92730082	6	
9	Front wheel spindle	-	-	-	-	GU62614120	1	
10	Spacer	-	-	-	-	GU62616320	1	
11	Washer 17X27X2	-	-	-	-	GU95004217	1	
12	Nut M16X1,5	-	-	-	-	GU92602516	1	
13	Spoke	-	-	-	-	GU39611601	36	
14	Counterweight 10 gr.	-	-	-	-	GU27616110	1	
	Counterweight 15 gr.	-	-	-	-	GU27616111	1	
	Counterweight 20 gr.	-	-	-	-	GU27616112	1	
	Counterweight 30 gr.	-	-	-	-	GU27616113	1	
15	Odometer gear	-	-	-	-	GU39762501	1	
16	Spacer	-	-	-	-	GU91181804	1	



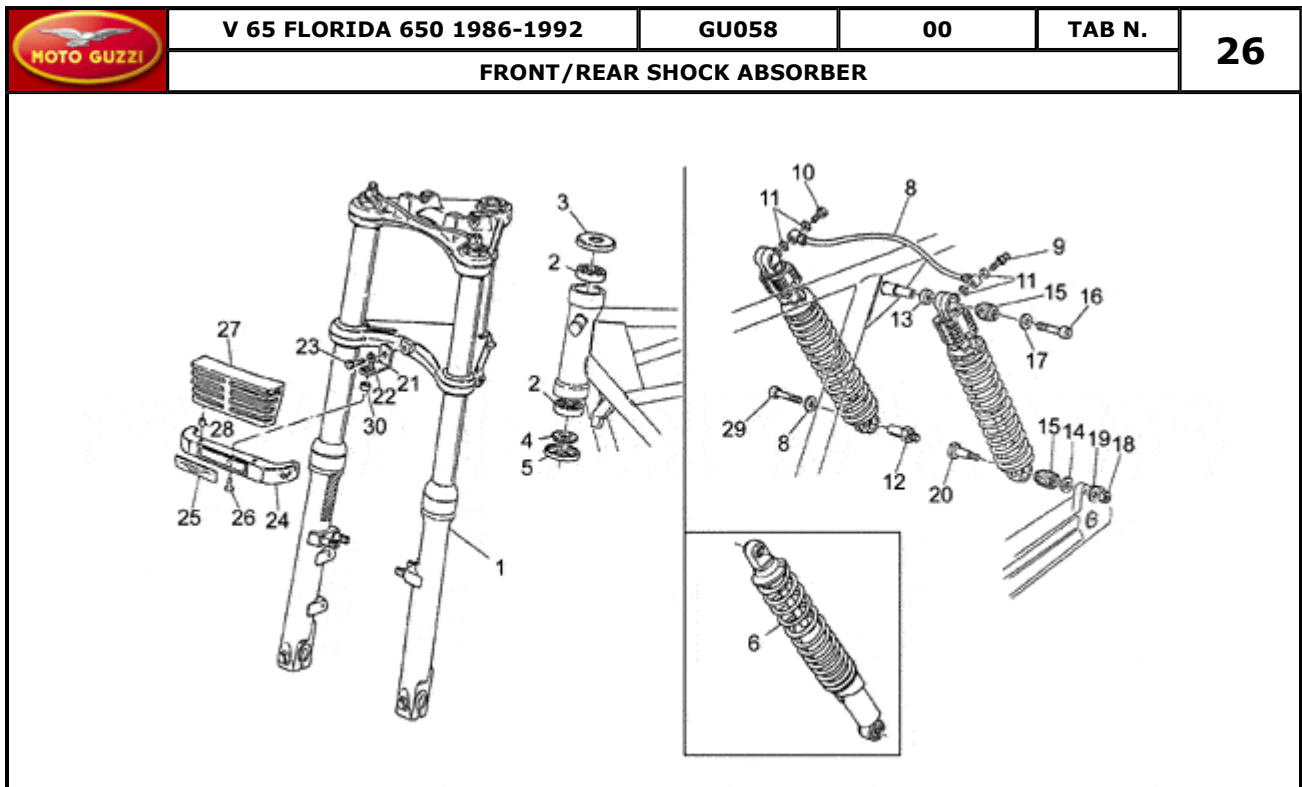
Pos.	Description	Year	I_M_	Country	Version	Code	Q.ty	P.Cod.
1	Front wheel 2,15x18	-	-	-	-	GU23610380	1	
2	Flange	-	-	-	-	GU27616335	2	
3	Spacer	-	-	-	-	GU19615335	1	
4	Bearing	-	-	-	-	GU92204217	2	
5	Brake disc	-	-	-	-	GU31613335	2	
6	Spacer	-	-	-	-	GU91181804	1	
7	Spacer	-	-	-	-	GU62616320	1	
8	Washer 17X27X2	-	-	-	-	GU95004217	1	
9	Nut M16X1,5	-	-	-	-	GU92602516	1	
10	Cap nut	-	-	-	-	GU92730082	6	
11	Washer	-	-	-	-	GU95004208	12	
12	Counterweight	-	-	-	-	GU14616150	2	
13	Screw	-	-	-	-	GU98052480	6	
14	Front wheel spindle	-	-	-	-	GU62614120	1	
15	Odometer gear	-	-	-	-	GU39762501	1	
16	Plug	-	-	-	-	GU62616800	1	



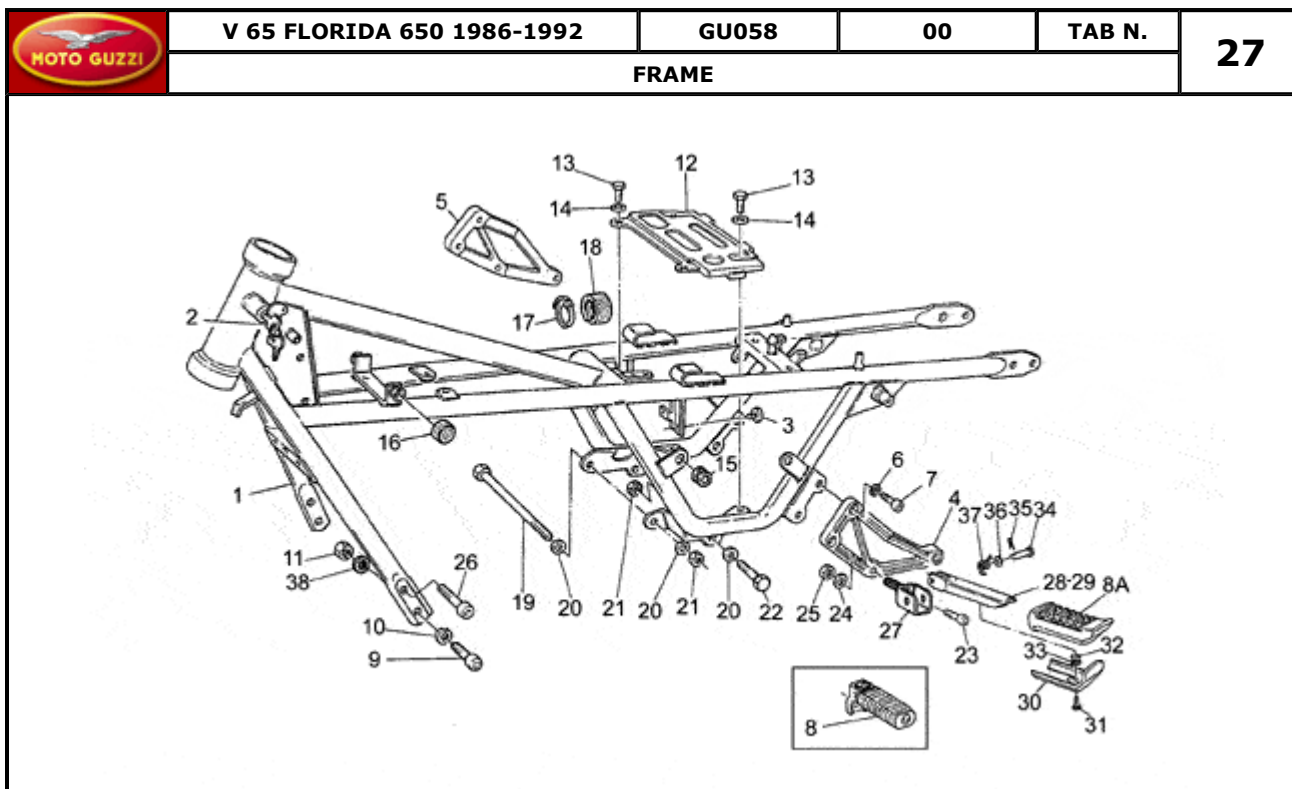
Pos.	Description	Year	I_M_	Country	Version	Code	Q.ty	P.Cod.
1	Rear wheel	-	-	-	-	GU23630370	1	
2	Brake disc	-	-	-	-	GU31613335	1	
	Brake disc	-	-	-	b	GU31613380	1	
3	Screw	-	-	-	-	GU98230825	6	
4	RH rubber coupling	-	-	-	-	GU19632501	6	
5	LH rubber coupling	-	-	-	-	GU19632502	6	
6	Bearing	-	-	-	-	GU92204218	1	
7	Bearing	-	-	-	-	GU92204217	1	
8	Spacer	-	-	-	-	GU27633910	1	
9	Spacer	-	-	-	-	GU27356910	1	
10	Rear wheel spindle	-	-	-	-	GU31633330	1	
11	Washer	-	-	-	-	GU14634400	1	
12	Nut M6X1,5	-	-	-	-	GU92602316	1	
13	Long spoke	-	-	-	-	GU23631470	18	
14	Short spoke	-	-	-	-	GU23631170	18	
15	Nipples	-	-	-	-	GU27631250	36	
16	Counterweight 30 gr.	-	-	-	-	GU27616113	1	
	Counterweight 10 gr.	-	-	-	-	GU27616110	1	
	Counterweight 15 gr.	-	-	-	-	GU27616111	1	
	Counterweight 20 gr.	-	-	-	-	GU27616112	1	



Pos.	Description	Year	I_M_	Country	Version	Code	Q.ty	P.Cod.
1	Rear wheel 2,50x16"	-	-	-	-	GU23630680	1	
2	Bearing	-	-	-	-	GU92204218	1	
3	Spacer	-	-	-	-	GU19634100	1	
4	Washer	-	-	-	-	GU14634400	1	
5	Nut M6X1,5	-	-	-	-	GU92602316	1	
6	RH rubber coupling	-	-	-	-	GU19632501	6	
7	LH rubber coupling	-	-	-	-	GU19632502	6	
8	Counterweight	-	-	-	-	GU14616150	2	
9	Bearing internal spacer	-	-	-	-	GU19633935	1	
10	Bearing	-	-	-	-	GU92204217	1	
11	Protection	-	-	-	-	GU19636400	1	
12	Rear wheel spindle	-	-	-	-	GU23633380	1	

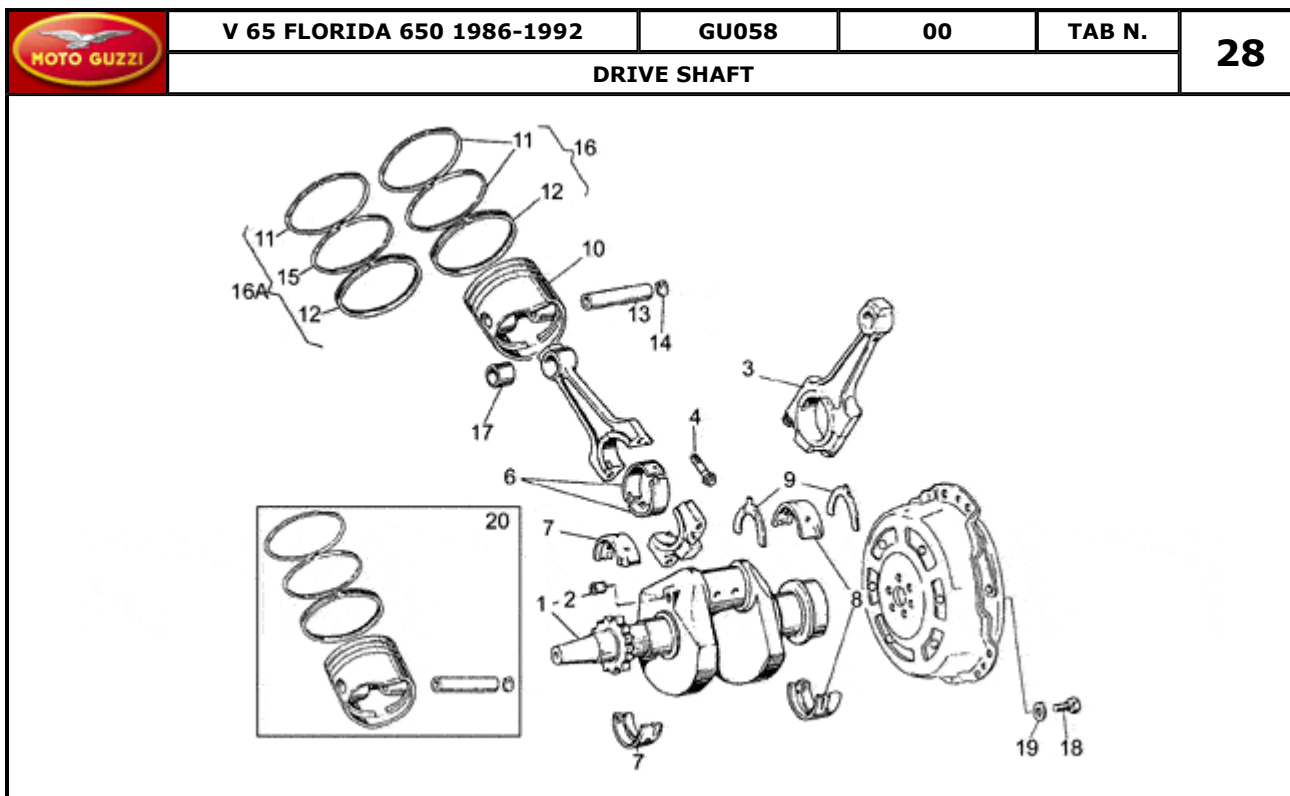


Pos.	Description	Year	I_M_	Country	Version	Code	Q.ty	P.Cod.
1	Front fork	-	-	-	-	GU23490371	1	
2	Tap.roller bearing	-	-	-	-	GU92249225	2	
3	Cup	-	-	-	-	GU14494600	1	
4	Clearance washer	-	-	-	-	GU14516700	1	
5	Dust cover	-	-	-	-	GU14517000	1	
6	Shock absorber-pair	-	-	-	-	GU23999270	1	
8	Pipe	-	-	-	-	GU19556160	1	
9	Air valve	-	-	-	-	GU28556250	2	
10	Bored screw	-	-	-	-	GU28556450	1	
11	Copper washer	-	-	-	-	GU28556350	4	
12	Pin	-	-	-	-	GU23555281	1	
13	Spacer	-	-	-	-	GU91181407	2	
14	Washer	-	-	-	-	GU95100256	1	
15	Silent-block	-	-	-	-	GU14551655	4	
16	Screw	-	-	-	-	GU98822440	2	
17	Washer	-	-	-	-	GU95000208	2	
18	Nut	-	-	-	-	GU92602410	1	
19	Washer 10,2x18x2	-	-	-	-	GU95004210	2	
20	Pin	-	-	-	-	GU23555280	1	
21	Plate	-	-	-	-	GU19498060	1	
22	Special washer	-	-	-	-	GU61013800	1	
23	Hex screw M6X20	-	-	-	-	GU98054320	1	
24	Clamp	-	-	-	-	GU23751310	1	
25	Constructor dataplate	-	-	-	-	GU23769510	1	
26	Screw	-	-	-	-	GU98326014	1	
27	Turn indicator support grill	-	-	-	-	GU23505810	1	
28	Pin	-	-	-	-	GU23922210	2	
29	Screw	-	-	-	-	GU98822416	1	
30	Spacer	-	-	-	-	GU91180706	1	

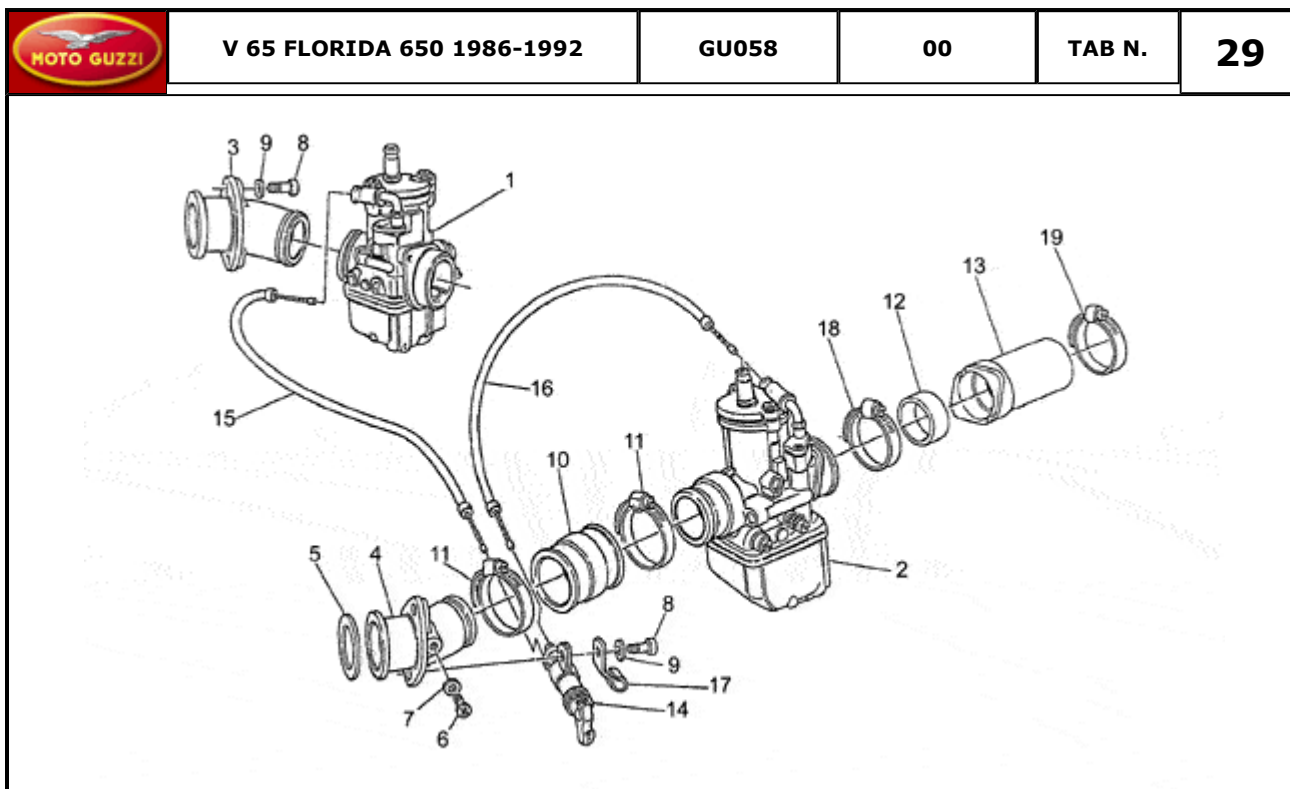


Pos.	Description	Year	I_M_	Country	Version	Code	Q.ty	P.Cod.
1	Frame	-	-	-	-	GU23400110	1	
2	Lock	-	-	-	-	GU19782520	1	
3	Drift	-	-	-	-	GU19705900	4	
4	LH footrest support	-	-	-	-	GU23446010	1	
5	RH footrest support	-	-	-	-	GU23443510	1	
6	Washer 8,4X13X0,8	-	-	-	-	GU14615901	4	
7	Screw	-	-	-	-	GU98622416	4	
8	Rubber pedal	-	-	-	2A	GU23443210	2	
	Rear footrest	-	-	-	1A	GU23442310	2	
9	Screw 25 mm	-	-	-	-	GU98622525	2	
10	Washer	-	-	-	-	GU95120105	4	
11	Nut	-	-	-	-	GU92602210	4	
12	Plate	-	-	-	-	GU27418210	1	
13	Screw	-	-	-	-	GU98054418	4	
14	Washer	-	-	-	-	GU95004208	4	
15	Rubber spacer	-	-	-	-	GU91551080	4	
16	Drift	-	-	-	-	GU39103400	2	
17	Hose clamp 3,6x20,6	-	-	-	-	GU14609650	2	
18	Drift	-	-	-	-	GU28109040	2	
19	Pin M10x205	-	-	-	-	GU98110199	1	
20	Washer 10,2x18x2	-	-	-	-	GU95004210	4	
21	Nut	-	-	-	-	GU92602210	3	
22	Screw	-	-	-	-	GU98052555	2	
23	Screw	-	-	-	-	GU98231025	2	
24	Washer 10,5X21X1	-	-	-	-	GU14018400	2	
25	Nut	-	-	-	-	GU92601210	2	
26	Screw	-	-	-	-	GU98622545	2	
27	U-bolt	-	-	-	-	GU23442710	2	
28	RH front foot rest pipe	-	-	-	-	GU23440710	1	
29	LH front foot rest pipe	-	-	-	-	GU23441810	1	
30	Plate	-	-	-	-	GU23441210	2	
31	Screw	-	-	-	-	GU98054314	2	
32	Spacer	-	-	-	-	GU91180602	2	

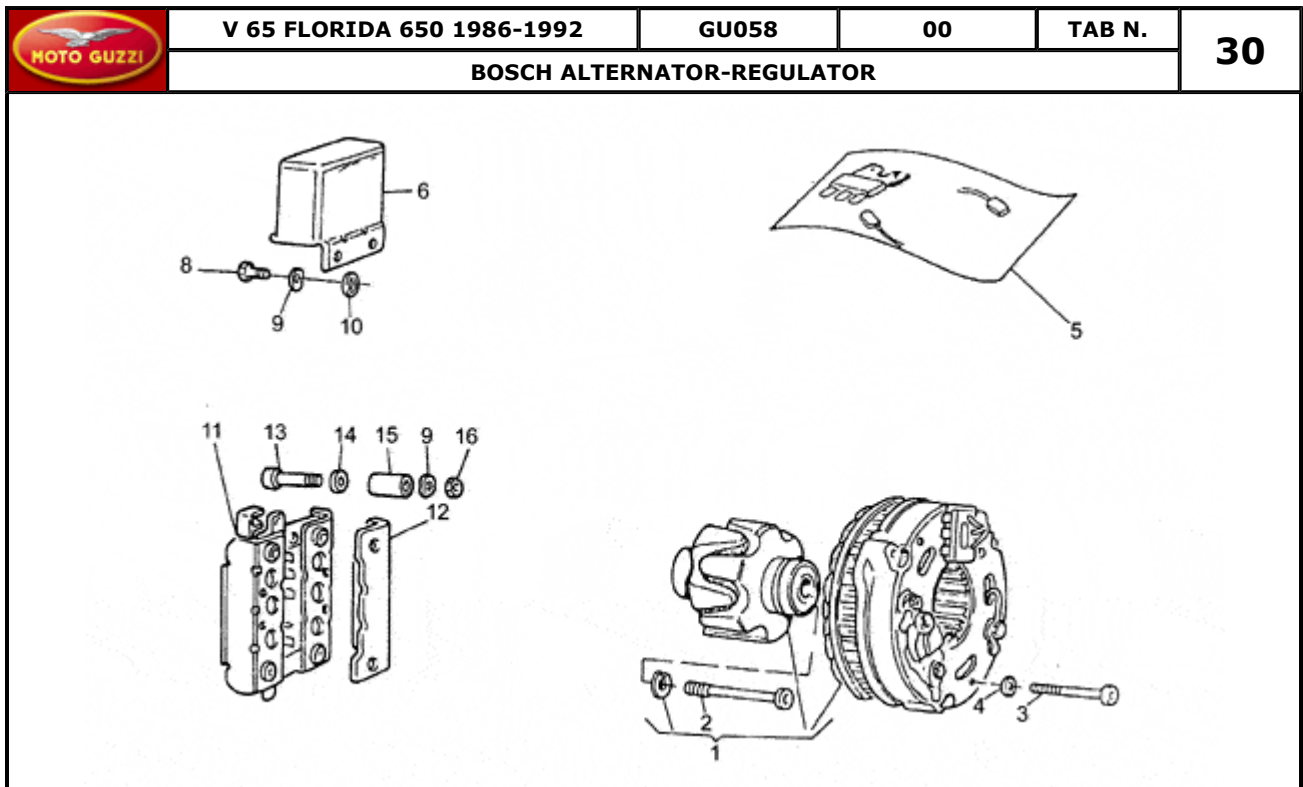
33	Spring washer	-	-	-	-	-	GU95129130	2
34	Pin	-	-	-	-	-	GU23442210	2
35	Split pin	-	-	-	-	-	GU95401215	2
36	Washer	-	-	-	-	-	GU95000208	2
37	Spring	-	-	-	-	-	GU23441110	2
38	Notched washer	-	-	-	-	-	GU95021110	4



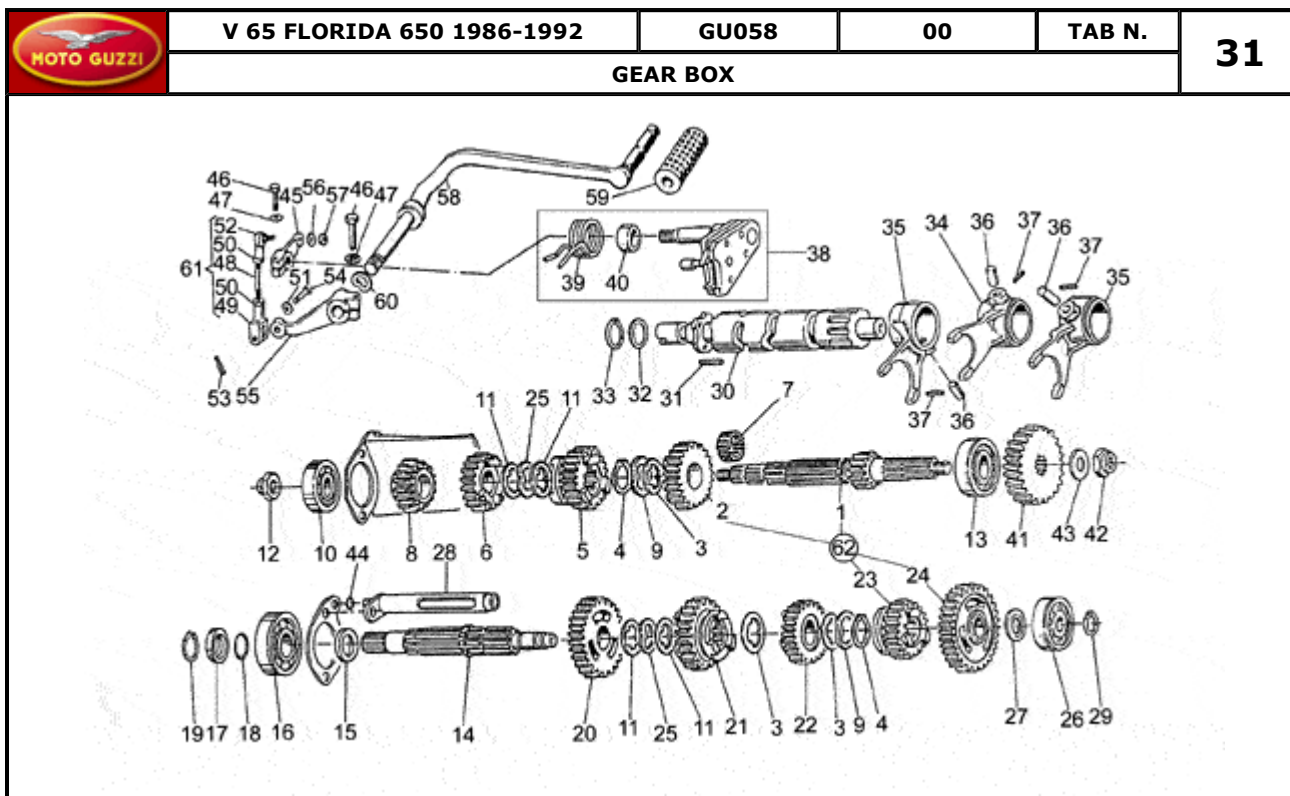
Pos.	Description	Year	I_M	Country	Version	Code	Q.ty	P.Cod.
1	Drive shaft	-	-	-	-	GU19064161	1	
2	Plug	-	-	-	-	GU19065400	1	
3	Connecting rod	-	-	-	-	GU19061561	2	
4	Screw	-	-	-	-	GU19062261	4	
6	Bearing half-shell	-	-	-	-	GU27062060	4	
7	Front main half-bearing	-	-	-	-	GU27065660	2	
8	Rear main half-bearing	-	-	-	-	GU27066560	2	
9	Half-clamp	-	-	-	-	GU27066460	2	
10	Piston	-	-	-	T6	GU23060471	2	
	Piston	-	-	-	-	GU19060469	2	
11	Slot piston ring	-	-	-	-	GU19060763	4	
12	Scraper ring	-	-	-	-	GU19061063	2	
13	Piston pin	-	-	-	-	GU19061263	2	
14	Stop ring	-	-	-	-	GU19061363	4	
15	Slot piston ring	-	-	-	-	GU27060860	2	
16	Pistonring set	-	-	-	T3	GU19060663	2	
	Pistonring set	-	-	-	T4	GU31060616	2	
17	Bushing	-	-	-	-	GU19061860	2	
18	Screw	-	-	-	-	GU19067700	6	
19	Washer 8,4X13X0,8	-	-	-	-	GU14615901	6	
20	Piston assy	-	-	-	T6	GU23060271	2	



Pos.	Description	Year	I_M	Country	Version	Code	Q.ty	P.Cod.
1	Carburettor RH PHBH 30BD	N	-	D	-	GU23112676	1	
	Carburettor RH PHBH 30BD	-	-	-	-	GU23112674	1	
2	Carburettor LH PHBH 30BS	-	-	-	-	GU23112675	1	
	Carburettor LH PHBH 30BS	N	-	D	-	GU23112677	1	
3	RH intake manifold	-	-	-	-	GU23115070	1	
4	LH intake manifold	-	-	-	-	GU23115071	1	
5	Gasket	-	-	-	-	GU19115580	2	
6	Special screw M6X10	-	-	-	-	GU98310611	2	
7	Washer 6,25x10x1,5	-	-	-	-	GU95100116	2	
8	Screw	-	-	-	-	GU98812325	4	
9	Special washer	-	-	-	-	GU61013800	4	
10	Hose mm 16	-	-	D	-	GU23114071	2	
	Hose	-	-	-	std	GU19114360	2	
11	Hose clamp 32X52X8	-	-	-	-	GU93305032	4	
12	Gasket ring	-	-	-	-	GU19114680	2	
13	Air intake hose	-	-	-	-	GU19114460	2	
14	Starter	-	-	-	CM	GU23133100	1	
15	RH choke cable	-	-	-	CM	GU19133560	1	
16	LH choke cable	-	-	-	CM	GU19134000	1	
17	Hose clamp	-	-	-	-	GU19718000	2	
18	Hose clamp	-	-	-	-	GU93305045	2	
19	Hose clamp	-	-	-	-	GU93305052	2	

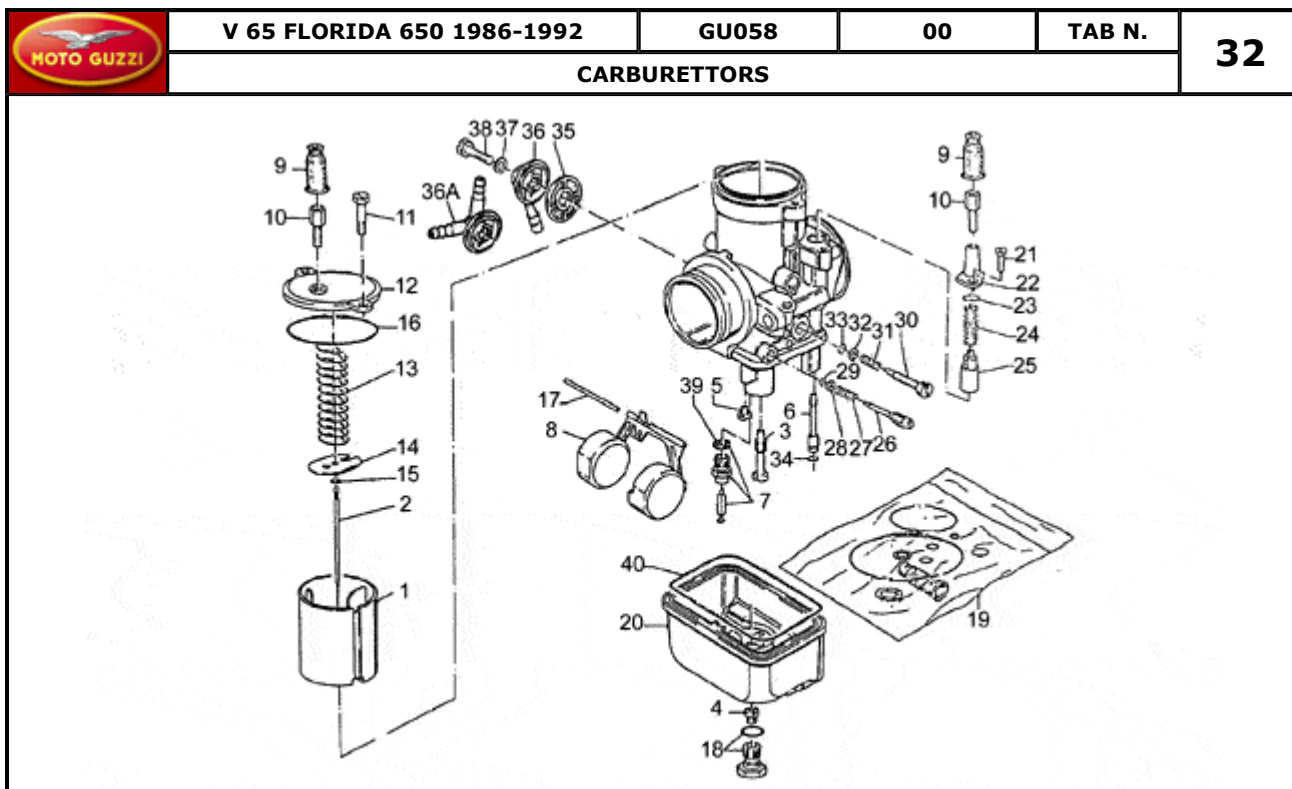


Pos.	Description	Year	I_M_	Country	Version	Code	Q.ty	P.Cod.
1	Bosch alternator	-	-	-	B	GU17712400	1	
2	Screw	-	-	-	-	GU14712459	1	
3	Hex socket screw M5X45	-	-	-	-	GU98620245	3	
4	Notched washer	-	-	-	-	GU95021105	3	
5	Repairing kit	-	-	-	-	GU17719900	1	
6	Voltage regulator BOSCH	-	-	-	B	GU29703800	1	
8	Screw	-	-	-	-	GU98054214	4	
9	Spring washer 5,3X10X0,5	-	-	-	-	GU95129100	8	
10	Spacer	-	-	-	-	GU91180605	2	
11	Bosch rectifier	-	-	-	B	GU17704300	1	
12	Cover	-	-	-	-	GU14704205	1	
13	Screw	-	-	-	-	GU98052245	4	
14	Washer 6,4x12x1,2	-	-	-	-	GU95100141	2	
15	Spacer	-	-	-	-	GU91180627	4	
16	Nut	-	-	-	-	GU92602205	4	



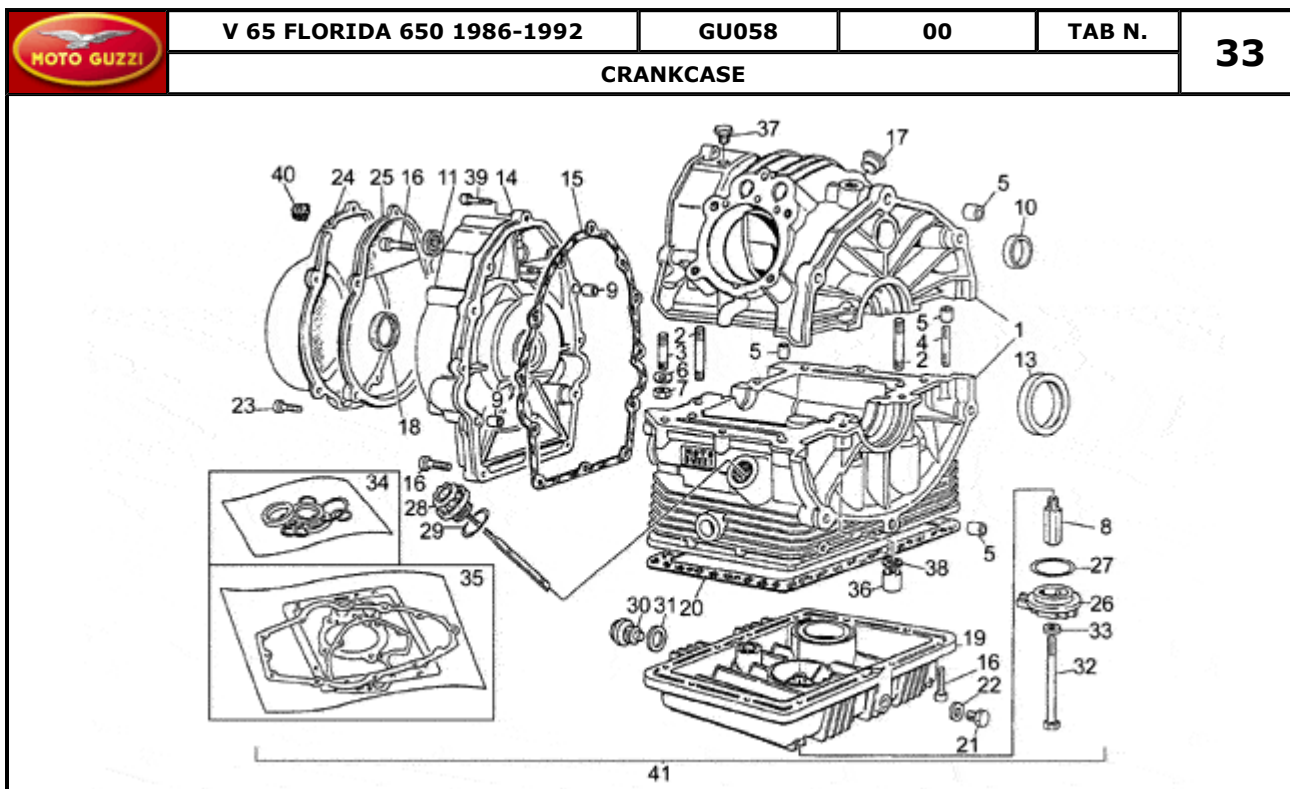
Pos.	Description	Year	I_M	Country	Version	Code	Q.ty	P.Cod.
1	Primary gear shaft Z=11	-	-	-	C2	GU23210570	1	
	Primary gear shaft Z=11	-	-	-	C1	GU19210561	1	
2	Gear 5a AP Z=20	-	-	-	C1	GU19212061	1	
	Gear 5a AP Z=20	-	-	-	C2	GU23212070	1	
3	Thrust washer	-	-	-	-	GU19215460	3	
4	Circlip	-	-	-	-	GU90271127	2	
5	Gear 4a AP Z=18	-	-	-	-	GU19211861	1	
6	Gear 3a AP Z=18	-	-	-	-	GU19211460	1	
7	Roller cage	-	-	-	-	GU92251023	1	
8	Gear 2a AP Z=14	-	-	-	-	GU19211361	1	
9	Washer	-	-	-	-	GU19218062	2	
10	Bearing AP 17x40x17,5	-	-	-	-	GU92218417	1	
11	Clearance washer	-	-	-	-	GU19214660	4	
12	Nut	-	-	-	-	GU10054100	1	
13	Bearing AP 20x37x17	-	-	-	-	GU92230320	1	
14	Driven shaft	-	-	-	-	GU19213661	1	
15	Spacer	-	-	-	-	GU19212900	1	
16	Bearing 20X47X14	-	-	-	-	GU92201220	1	
17	Spacer	-	-	-	-	GU19213720	1	
18	Gasket ring 18,77X1,78	-	-	-	-	GU90706188	1	
19	Circlip	-	-	-	-	GU90271121	1	
20	Gear 2a AS Z=23	-	-	-	-	GU23214571	1	
21	Gear 3a AS Z=23	-	-	-	-	GU19214860	1	
22	Gear 4a AS Z=19	-	-	-	-	GU19215161	1	
23	Gear 5a AS Z=18	-	-	-	C1	GU19215261	1	
	Gear 5a AS Z=18	-	-	-	C2	GU23215270	1	
24	Gear 1a AS Z=26	-	-	-	C1	GU19214063	1	
	Gear 1a AS Z=26	-	-	-	C2	GU23214071	1	
25	Washer	-	-	-	-	GU19218061	2	
26	Bearing	-	-	-	-	GU92234716	1	
27	Spacer 1,7 mm	-	-	-	-	GU10214301	1	
	Spacer 1,8 mm	-	-	-	-	GU10214302	1	
	Spacer 1,9 mm	-	-	-	-	GU10214303	1	

	Washer 2 mm	-	-	-	-	-	GU10214304	1
	Spacer 2,1 mm	-	-	-	-	-	GU10214305	1
28	Gutter	-	-	-	-	-	GU23202074	1
29	Circlip	-	-	-	-	-	GU90271117	1
30	Shift cam	-	-	-	-	-	GU19234420	1
31	Pin	-	-	-	-	-	GU19234600	4
32	Washer	-	-	-	-	-	GU19355360	1
33	Snap ring	-	-	-	-	-	GU90271020	1
34	Fork AP	-	-	-	-	-	GU19231220	1
35	Fork AS	-	-	-	-	-	GU19231020	2
36	Roller	-	-	-	-	-	GU92297909	3
37	Pin	-	-	-	-	-	GU95520316	3
38	Pre-selector kit	-	-	-	01397N	-	GU20999520	1
39	Spring	-	-	-	-	-	GU61238200	1
	Spring	-	-	-	01397N	-	GU28238261	1
40	Spacer	-	-	-	01397N	-	GU20208520	1
	Bush	-	-	-	-	-	GU91182010	1
41	Gear Z=22	-	-	-	-	-	GU19211160	1
42	Nut	-	-	-	-	-	GU10054100	1
43	Clearance washer	-	-	-	-	-	GU39238100	1
44	O-ring	-	-	-	-	-	GU90706040	1
45	Shift lever	-	-	-	-	-	GU19258220	1
46	Screw	-	-	-	-	-	GU98052325	2
47	Notched washer	-	-	-	-	-	GU95021106	2
48	Tie rod	-	-	-	-	-	GU18257950	1
49	Fork	-	-	-	-	-	GU12626800	1
50	Nut	-	-	-	-	-	GU92602206	2
51	Washer	-	-	-	-	-	GU95129110	1
52	Ball joint	-	-	-	-	-	GU18258101	1
53	Split pin	-	-	-	-	-	GU95500222	1
54	Pin	-	-	-	-	-	GU95770265	1
55	Lever	-	-	-	-	-	GU19256920	1
56	Special washer	-	-	-	-	-	GU61013800	1
57	Nut M6x1	-	-	-	-	-	GU92630106	1
58	Complete gearchange lever	-	-	-	-	-	GU19250900	1
59	Rubber spacer	-	-	-	-	-	GU14251001	1
60	Spring washer	-	-	-	-	-	GU95129260	1
61	Change gear tie rod compl.	-	-	-	-	-	GU19257701	1
62	Flange modification kit	-	-	-	C2	-	GU23210170	1



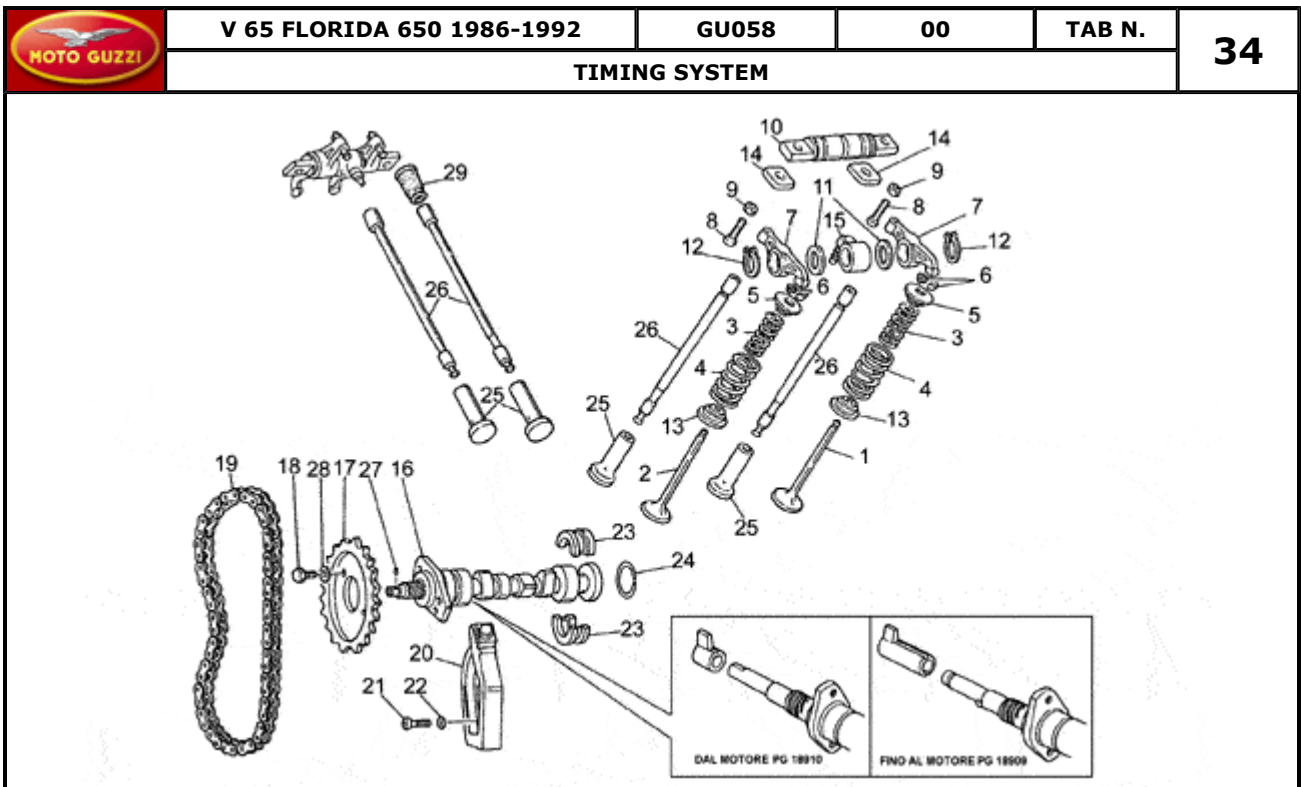
Pos.	Description	Year	I_M	Country	Version	Code	Q.ty	P.Cod.
1	Gas valve 45	-	-	-	-	GU23934870	2	
	Gas valve 40	N	-	D	-	GU19934860	2	
2	Conical pin 8	-	-	-	-	GU19934960	2	
	Conical pin X80 2a	N	-	D	-	GU31934962	2	
3	Needle valve 268T	-	-	-	-	GU19935580	2	
	Needle valve 264T1	N	-	D	-	GU31935562	2	
4	Main jet 102	N	-	D	-	GU19935700	2	
	Main jet 105	-	-	-	-	GU19935750	2	
	Main jet 70	G	-	D	-	GU23935770	2	
5	Idle jet 38	-	-	-	-	GU27935960	2	
6	Starter jet 60	-	-	-	-	GU19936000	2	
7	Needle valve	-	-	-	-	GU19934600	2	
8	Float gr.9,5	-	-	-	-	GU27934315	2	
9	Throttle cable cap	-	-	-	E3	0000000	4	
10	Wire tensioner screw	-	-	-	-	GU12937200	4	
11	Screw	-	-	-	-	GU14934650	2	
12	Cover	-	-	-	-	GU19935080	2	
13	Gas valve return spring	-	-	-	-	GU19937180	2	
14	Plate	-	-	-	-	GU19938580	2	
15	Conical pin clip	-	-	-	-	GU65933600	2	
16	Gasket	-	-	-	E3	0000000	2	
17	Float pin	-	-	-	-	GU13933100	2	
18	Float chamber fix.plug	-	-	-	-	GU27933720	2	
19	Gaskets set	-	-	-	-	GU19939980	1	
20	Aluminium float chamber	-	-	-	-	GU19934480	2	
	Float chamber plastica	-	-	-	03399N	GU31934460	2	
21	Screw	-	-	-	-	GU13937900	2	
22	Starter device cover	-	-	-	-	GU17937450	2	
23	Gasket	-	-	-	E3	0000000	2	
24	Valve spring	-	-	-	-	GU39937600	2	
25	Starter valve	-	-	-	-	GU13937800	2	
26	Adj.min.eng.speed screw	-	-	-	-	GU13936200	2	
27	Spring	-	-	-	-	GU13936300	2	

28	Flat washer	-	-	-	-	-	GU65933700	2
29	Gasket	-	-	-	E3	-	0000000	2
30	Gas valve adjuster screw	-	-	-	-	-	GU13936600	2
31	Spring	-	-	-	-	-	GU13936700	2
32	Flat washer	-	-	-	-	-	GU14931650	2
33	Gasket	-	-	-	E3	-	0000000	2
34	Starter jet gasket	-	-	-	E3	-	0000000	2
35	Fuel filter	-	-	-	-	-	GU43934000	2
36	Fuel pipe union cap	-	-	-	1A	-	GU13934600	2
	Fuel pipe union cap	-	-	-	2A	-	GU31934680	2
37	Gasket	-	-	-	-	-	GU13934700	2
38	Cap fixing screw	-	-	-	-	-	GU10934900	2
39	Needle valve gasket	-	-	-	E3	-	0000000	2
40	Float chamber gasket	-	-	-	E3	-	0000000	2



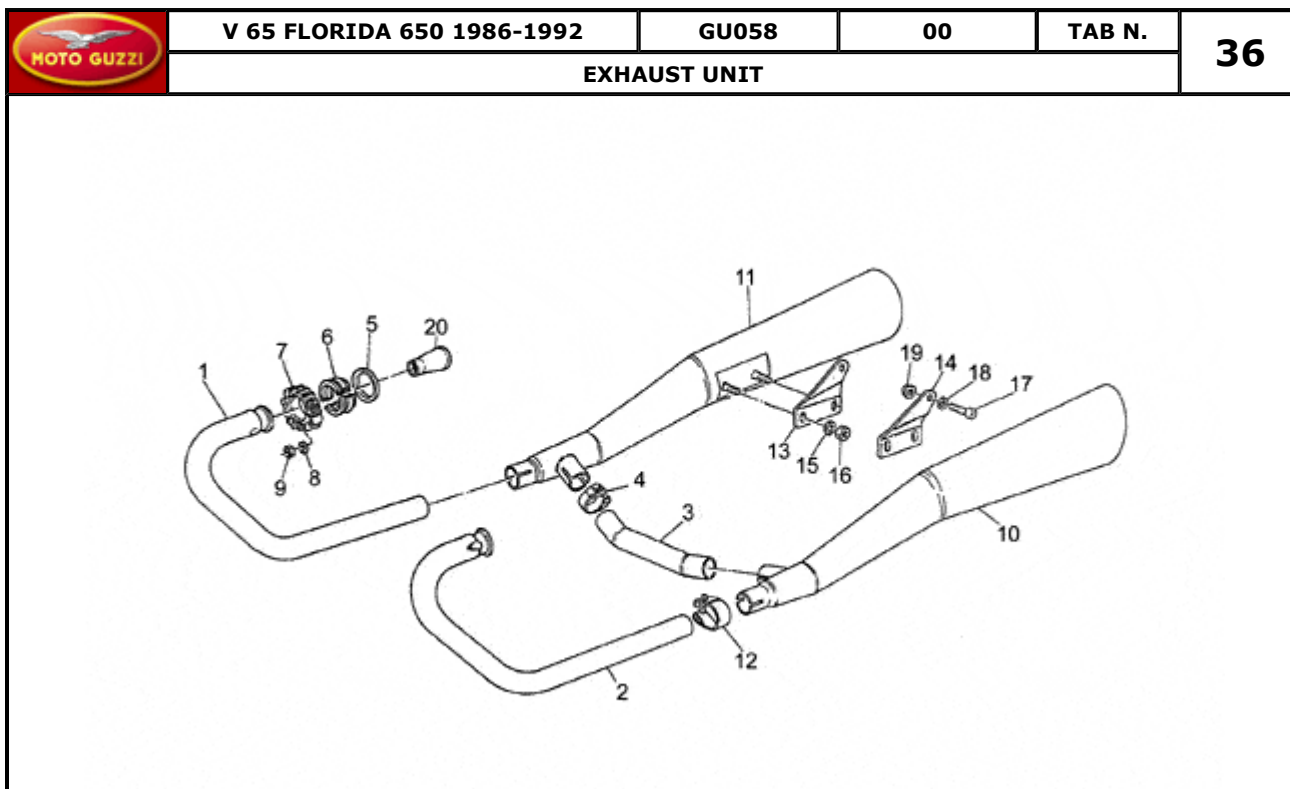
Pos.	Description	Year	I_M_	Country	Version	Code	Q.ty	P.Cod.
1	Crankcase	-	-	-	-	GU31000331	1	
2	Stud bolt	-	-	-	-	GU96451560	4	
3	Stud bolt	-	-	-	-	GU96451430	4	
4	Stud bolt	-	-	-	-	GU96508055	2	
5	Bush	-	-	-	-	GU19015020	4	
6	Spring washer 8x15x0,3	-	-	-	-	GU61270300	6	
7	Nut	-	-	-	-	GU92601208	6	
8	Union	-	-	-	-	GU19003800	1	
9	Bush 6,6x9x13	-	-	-	-	GU19002020	2	
10	Plug	-	-	-	-	GU19016320	1	
11	Gasket ring	-	-	-	-	GU90401530	1	
13	Gasket ring	-	-	-	-	GU90405367	1	
14	Timing system cover	-	-	-	-	GU31001431	1	
15	Gasket	-	-	-	-	GU19001200	1	
16	Screw	-	-	-	-	GU98610325	22	
17	Plug	-	-	-	-	GU19017120	1	
18	Gasket ring	-	-	-	GS	GU90402038	1	
	Gasket ring 28x38x7	-	-	-	GB	GU90402840	1	
19	Motor oil cup	-	-	-	M3	GU23003510	1	
	Motor oil cup	-	-	-	M4	GU31003531	1	
20	Gasket	-	-	-	-	GU19003602	1	
21	Oil plug	-	-	-	-	GU95980213	1	
	Oil unload plug M10X1	-	-	-	-	GU31003766	1	
22	Gasket	-	-	-	-	GU10528900	1	
23	Hex socket screw M6x18	-	-	-	-	GU98610335	5	
24	Cover	-	-	-	-	GU27001636	1	
25	Flange	-	-	-	-	GU27001136	1	
26	Plug	-	-	-	-	GU31003431	1	
27	O-ring	-	-	-	-	GU90706444	1	
28	Oil filler plug	-	-	-	M3	GU19004920	1	
	Oil load plug	-	-	-	M4	GU27004985	1	
29	Gasket ring	-	-	-	-	GU90706282	1	
30	Oil filler plug	-	-	-	-	GU28004950	1	

31	Gasket 20,1x28x2	-	-	-	-	-	GU95100709	1
32	Bolt	-	-	-	M3	-	GU98072490	1
	Bolt	-	-	-	M4	-	GU27152885	1
33	Gasket 8,25x15x1	-	-	-	-	-	GU12154200	1
34	Oil seals - set	-	-	-	-	-	GU31999565	1
35	Gasket set	-	-	-	-	-	GU27999060	1
36	Column nut	-	-	-	-	-	GU13021900	4
37	Plug	-	-	-	-	-	GU19015460	1
38	Washer 10,5X18X0,8	-	-	-	-	-	GU95129180	4
39	Screw M6x30	-	-	-	-	-	GU98610330	2
40	Rubber spacer	-	-	-	-	-	GU19007700	1
41	Engine w/o gearbox	-	-	-	-	-	GU23991070	1


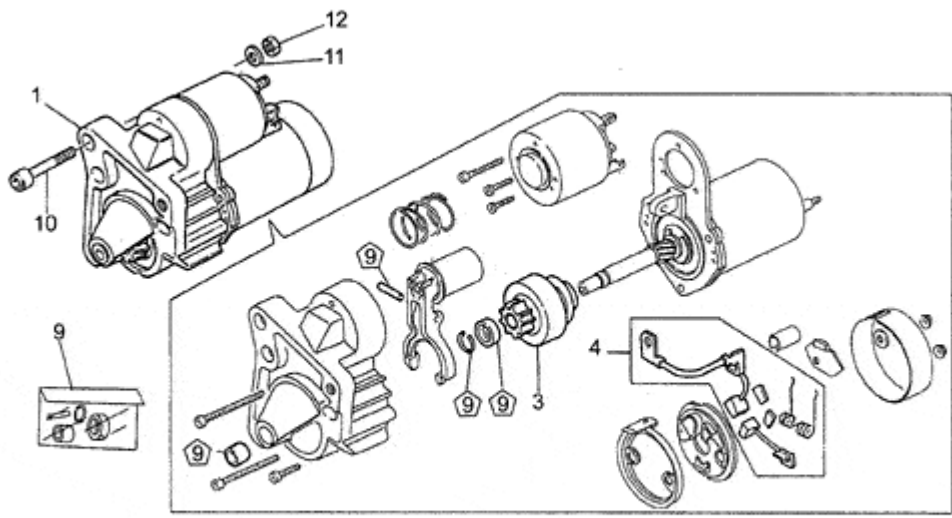


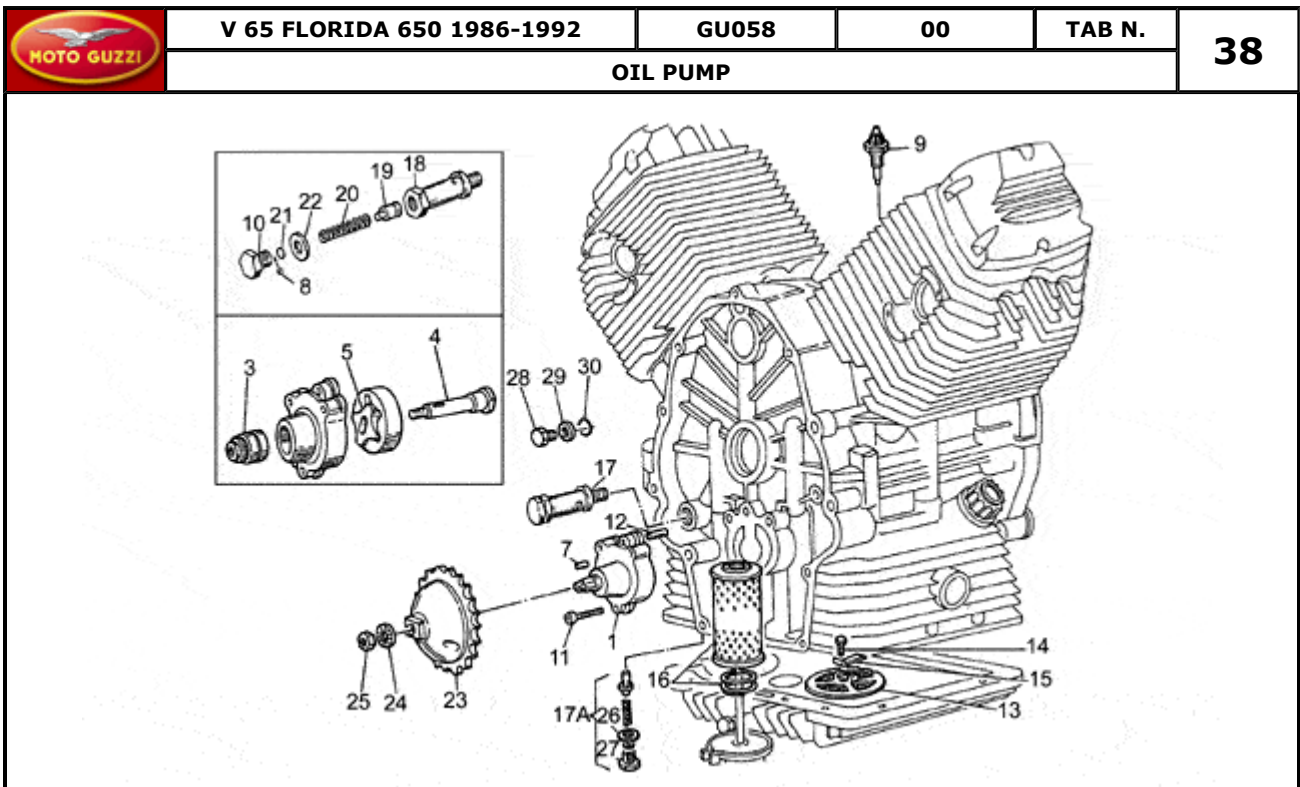
Pos.	Description	Year	I_M	Country	Version	Code	Q.ty	P.Cod.
1	Intake valve	-	-	-	-	GU19036082	2	
2	Exhaust valve	-	-	-	-	GU19036183	2	
3	Spring	-	-	-	-	GU61037600	4	
4	Spring	-	-	-	PV	GU27037521	4	
	Spring	-	-	-	PF	GU61037500	4	
5	Upper cup	-	-	-	PV	GU31038015	4	
	Upper cup	-	-	-	PF	GU61038000	4	
6	Half-cone	-	-	-	-	GU61038100	8	
7	Rocker arm assy.	-	-	-	-	GU19030500	4	
8	Screw	-	-	-	-	GU19034000	4	
9	Nut M6x1	-	-	-	-	GU92602406	4	
10	Rocker shaft	-	-	-	-	GU19032080	2	
11	Thrust washer	-	-	-	-	GU19032380	4	
12	Circlip	-	-	-	-	GU90271018	4	
13	Lower cup	-	-	-	PF	GU61037000	4	
	Lower cup	-	-	-	PV	GU31037015	4	
14	Spacer	-	-	-	-	GU19032980	4	
15	Hose	-	-	-	-	GU19027500	2	
16	Camshaft	-	-	-	T5	GU27053362	1	
	Camshaft	-	-	-	T7	GU27053463	1	
17	Timing system gear	-	-	-	-	GU19054521	1	
18	Bolt	-	-	-	-	GU61054900	2	
19	Camshaft chain	-	-	-	-	GU19058021	1	
20	Chain stretching drive	-	-	-	-	GU19058220	1	
21	Screw	-	-	-	-	GU98822316	1	
22	Washer	-	-	-	-	GU95129115	1	
23	Sector	-	-	-	-	GU19055700	2	
24	Snap ring	-	-	-	-	GU90353029	1	
25	Tappet	-	-	-	-	GU19045861	4	
26	Rocker arm rod	-	-	-	-	GU19045060	4	
27	Roller	-	-	-	-	GU95512035	1	
28	Safety washer	-	-	-	-	GU23217800	2	
29	Cap	-	-	-	-	GU27045420	4	

MOTO GUZZI		V 65 FLORIDA 650 1986-1992	GU058	00	TAB N.	35		
CLUTCH								
Pos.	Description	Year	I_M_	Country	Version	Code	Q.ty	P.Cod.
1	Clutch AP	-	-	-	-	GU27080160	1	
2	New cup type	-	-	-	-	GU19083462	1	
3	Snap ring	-	-	-	-	GU90272075	1	
4	Driven clutch disc	-	-	-	-	GU27084460	1	
5	Chain ring MOTOPLAT	-	-	-	-	GU19067900	1	
6	Washer 6,4x10x0,7	-	-	-	-	GU14217901	6	
7	Hex screw M6X16	-	-	-	-	GU98054316	6	
8	Rod	-	-	-	-	GU20085720	1	
9	Inner body	-	-	-	-	GU14086000	1	
10	Thrust bearing	-	-	-	-	GU12087001	1	
11	Outer body	-	-	-	-	GU14086100	1	
12	O-ring 17,13x2,62	-	-	-	-	GU90706170	1	
13	Clutch release shaft	-	-	-	-	GU14090201	1	
14	Adjuster screw	-	-	-	-	GU14090400	1	
15	Nut M8X1	-	-	-	-	GU92602508	1	
16	Lever return spring	-	-	-	-	GU94321105	1	
17	Pin 7x39	-	-	-	-	GU95780271	1	
18	Split pin	-	-	-	-	GU95500222	1	
19	Gasket ring	-	-	-	-	GU90403245	1	
20	Transmission shaft Z=15	-	-	-	-	GU19210760	1	
21	Gasket ring 6x16x7	-	-	-	-	GU90400616	1	
22	Spacer	-	-	-	-	GU19213760	1	
23	O-ring 23,52x1,78	-	-	-	-	GU90706235	1	
24	Nut	-	-	-	-	GU19356760	1	
25	Nut M8X1,25	-	-	-	-	GU92602208	1	
26	Clutch drum	-	-	-	-	GU23200472	1	
27	Plug	-	-	-	-	GU93180220	1	
28	Bearing 25x52x15	-	-	-	-	GU92201225	1	
29	Bearing fixing plate	-	-	-	-	GU19203460	1	
30	Screw	-	-	-	-	GU98054314	3	
31	Washer 6,4x10x0,7	-	-	-	-	GU14217901	3	
32	Screw M6X30	-	-	-	-	GU98620330	11	
33	Screw M8X35	-	-	-	-	GU98620435	5	
34	Screw	-	-	-	-	GU98620450	1	
35	Spring washer 8x15x0,3	-	-	-	-	GU61270300	6	

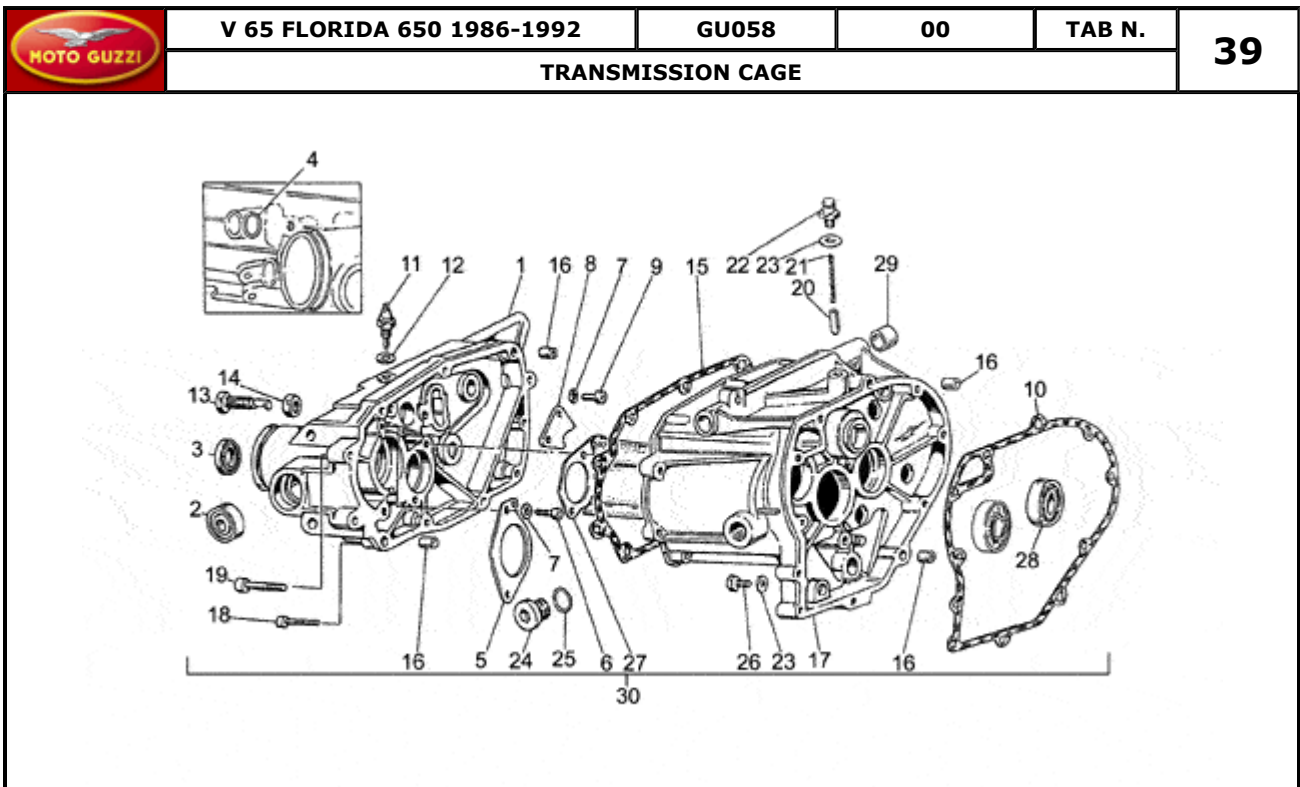


Pos.	Description	Year	I_M_	Country	Version	Code	Q.ty	P.Cod.
1	RH exhaust pipe	-	-	-	-	GU23120770	1	
2	LH exhaust pipe	-	-	-	-	GU23120771	1	
3	Pipe	-	-	-	-	GU23121110	1	
4	Hose clamp	-	-	-	-	GU23126910	2	
5	Gasket	-	-	-	-	GU19025280	2	
6	Spacer	-	-	-	-	GU19025460	4	
7	Exhaust ring nut	-	-	-	-	GU19121050	2	
8	Special washer	-	-	-	-	GU61013800	4	
9	Nut	-	-	-	-	GU92701062	4	
10	LH silencer	-	-	-	-	GU23122910	1	
11	RH silencer	-	-	-	-	GU23123010	1	
12	Hose clamp	-	-	-	-	GU29123450	2	
13	RH plate	-	-	-	-	GU23128610	1	
14	LH plate	-	-	-	-	GU23128710	1	
15	Spring washer 8x15x0,3	-	-	-	-	GU61270300	4	
16	Nut M8X1,25	-	-	-	-	GU92602208	4	
17	Hex socket screw M8X25	-	-	-	-	GU98622425	2	
18	Washer 8,4X13X0,8	-	-	-	-	GU14615901	4	
19	Nut	-	-	-	-	GU92660008	2	
20	Reduction	G	-	D	20KW	GU23127670	2	

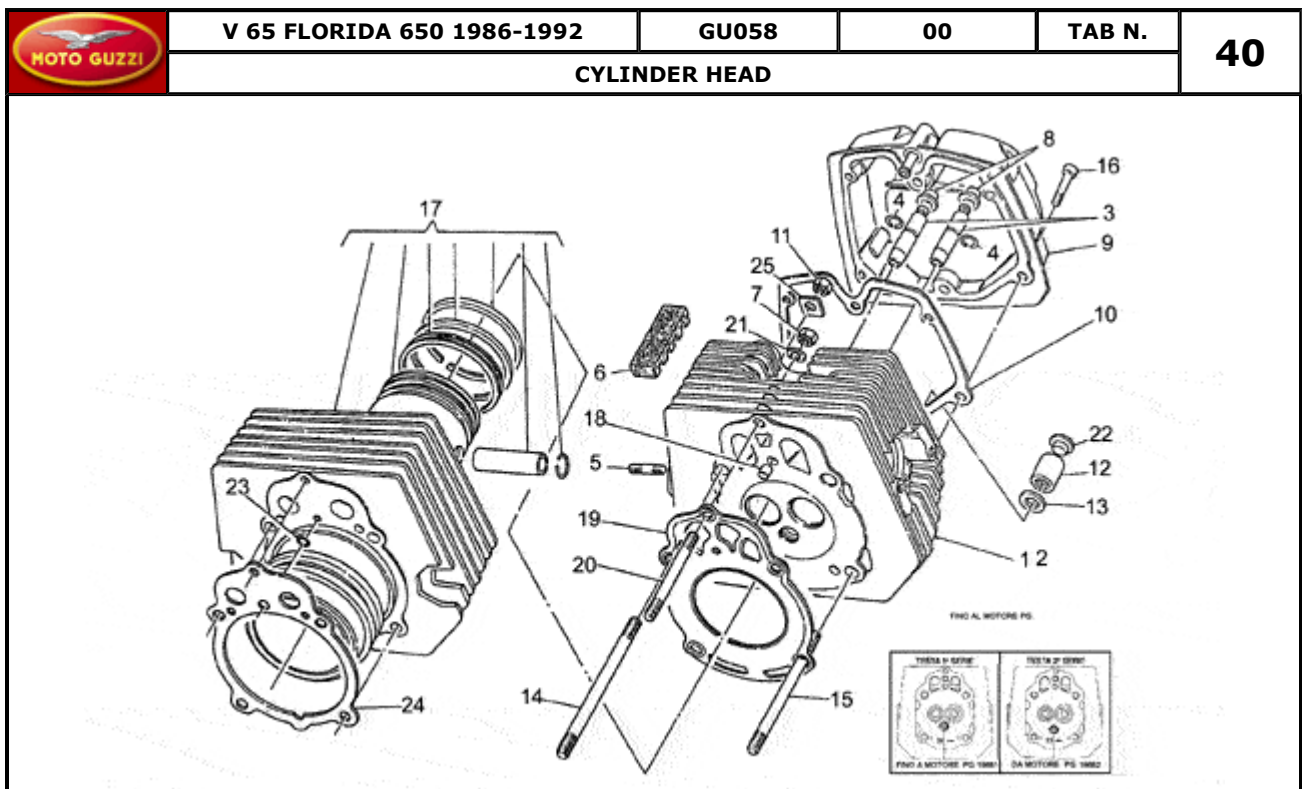
		V 65 FLORIDA 650 1986-1992	GU058	00	TAB N.	37		
VALEO STARTER MOTOR								
								
Pos.	Description	Year	I_M_	Country	Version	Code	Q.ty	P.Cod.
1	Starter motor Valeo	-	-	-	-	GU30730711	1	
3	Pinion assy	-	-	-	-	GU30530510	1	
4	Brush revision set	-	-	-	-	GU30530511	1	
9	Starter motor revision kit	-	-	-	-	GU30530512	1	
10	Screw	-	-	-	-	GU98610435	2	
11	Washer	-	-	-	-	GU95004208	2	
12	Nut M8X1,25	-	-	-	-	GU92602208	2	



Pos.	Description	Year	I_M	Country	Version	Code	Q.ty	P.Cod.
1	Oil pump	-	-	-	-	GU19146420	1	
3	Roller bearing 10x22x20	-	-	-	-	GU92252210	1	
4	Oil pump shaft assy.	-	-	-	-	GU19147820	1	
5	Inner rotor	-	-	-	-	GU19148420	1	
7	Guide roller	-	-	-	-	GU92296726	1	
8	Ball	-	-	-	-	GU92295911	1	
9	Pressure sensor	-	-	-	02201N	GU31999581	1	
10	Plug	-	-	-	-	GU12159000	1	
11	Screw M6X35	-	-	-	-	GU98620335	3	
12	Pin	-	-	-	-	GU19018920	2	
13	Oil filter	-	-	-	-	GU19152200	1	
14	Screw	-	-	-	-	GU98054314	1	
15	Plate	-	-	-	-	GU95187006	1	
16	Oil filter	-	-	-	M4	GU27153085	1	
	Oil filter	-	-	-	M3	GU19153000	1	
17	Oil pressure valve	-	-	-	M6	GU31158250	1	
	Oil valve cpl.	-	-	-	M5	GU10158201	1	
18	Valve body	-	-	-	-	GU10158701	1	
19	Piston	-	-	-	-	GU12150900	1	
20	Valve spring	-	-	-	-	GU94321072	1	
21	Bottom	-	-	-	-	GU12150700	1	
22	Washer 14,5X20X1	-	-	-	-	GU95100523	2	
23	Oil pump gear	-	-	-	-	GU19147721	1	
24	Washer 10,5x16x1	-	-	-	-	GU19149800	1	
25	Nut M10x1,25	-	-	-	-	GU92602510	1	
26	Washer 18,25x24x1	-	-	-	-	GU18144350	3	
27	Washer 6,15x11x0,8	-	-	-	-	GU95004206	1	
28	Plug	-	-	-	M6	GU31016050	1	
29	Gasket 14,25	-	-	-	M6	GU18161150	1	
30	O-ring	-	-	-	M6	GU90706111	1	



Pos.	Description	Year	I_M	Country	Version	Code	Q.ty	P.Cod.
1	Box cover	-	-	-	-	GU31200831	1	
2	Bearing 15x35x11	-	-	-	-	GU92204215	2	
3	Gasket ring 28x40x7	-	-	-	-	GU90402841	1	
4	O-ring 13,95x2,92	-	-	-	-	GU90706140	1	
5	Plate	-	-	-	-	GU23213870	1	
6	Screw	-	-	-	-	GU98622314	4	
7	Washer 6,4x10x0,7	-	-	-	-	GU14217901	6	
8	Plate	-	-	-	-	GU19235800	1	
9	Screw	-	-	-	-	GU98622314	2	
10	Gasket	-	-	-	-	GU23200370	1	
11	Sensor	-	-	-	-	GU19207220	1	
12	Gasket 8,25x15x1	-	-	-	-	GU12154200	1	
13	Screw M12x1,25	-	-	-	-	GU19237800	1	
14	Low nut M12x1,25	-	-	-	-	GU92602512	1	
15	Gasket	-	-	-	-	GU19201120	1	
16	Bush 6,6x9x13	-	-	-	-	GU19002020	4	
17	Transmission cage	-	-	-	-	GU31200231	1	
18	Screw M6x30	-	-	-	-	GU98610330	7	
19	Screw	-	-	-	-	GU98610435	4	
20	Pawl	-	-	-	-	GU55234700	1	
21	Lever return spring	-	-	-	-	GU94321067	1	
22	Breather plug	-	-	-	-	GU19206501	1	
23	Gasket	-	-	-	-	GU10528900	2	
24	Oil filler plug	-	-	-	-	GU31351200	1	
25	O-ring 20,24x2,62	-	-	-	-	GU90706203	1	
26	Oil unload plug M10X1	-	-	-	-	GU31003766	1	
	Oil plug	-	-	-	-	GU95980213	1	
27	Oil bulhead	-	-	-	-	GU19208220	1	
28	Ball bearing 20x42x12	-	-	-	-	GU92201120	1	
29	Bush 10,25x15,7x8	-	-	-	-	GU19202320	2	
30	Transmission cage	-	-	-	-	GU23991572	1	



Pos.	Description	Year	I_M	Country	Version	Code	Q.ty	P.Cod.
1	RH cylinder head	-	-	-	-	GU23022170	1	
	RH head	-	-	-	-	GU31022131	1	
2	LH head	-	-	-	-	GU31022231	1	
	LH cylinder head	-	-	-	-	GU23022270	1	
3	Valve guide	-	-	-	-	GU61036801	4	
4	Snap ring	-	-	-	-	GU90353009	4	
5	Stud bolt	-	-	-	-	GU96506042	4	
6	Anti-vibration plate	-	-	-	-	GU19025300	4	
7	Nut	-	-	-	-	GU23021910	2	
8	Oil seal	-	-	-	-	GU19037820	4	
9	Valves cover	G	-	D	20KW	GU31023531	2	
	Valves cover, stain.	-	-	-	-	GU31023500	2	
10	Gasket	-	-	-	-	GU19023700	2	
11	Nut M10X1,5	-	-	-	-	GU92603010	4	
12	Column nut	-	-	-	-	GU13021900	4	
13	Washer 10,5X18X0,8	-	-	-	-	GU95129180	4	
14	Tie rod	-	-	-	-	GU96510200	4	
15	Tie rod 143 mm	-	-	-	-	GU96510143	4	
16	Hex socket screw M6X25	-	-	-	-	GU98622325	10	
17	Cylinder with piston	-	-	-	-	GU23060171	2	
	Cylinder with piston	-	-	-	-	GU23060170	2	
18	Bush	-	-	-	-	GU19021360	2	
19	Gasket	-	-	-	-	GU27022060	2	
20	Tie rod	-	-	-	-	GU96508125	2	
21	Spring washer 8x15x0,3	-	-	-	-	GU61270300	2	
22	Plug	-	-	-	-	GU93180245	4	
23	O-ring	-	-	-	-	GU61027200	2	
24	Gasket	-	-	-	-	GU27020820	2	
25	Spacer	-	-	-	-	GU19032980	4	